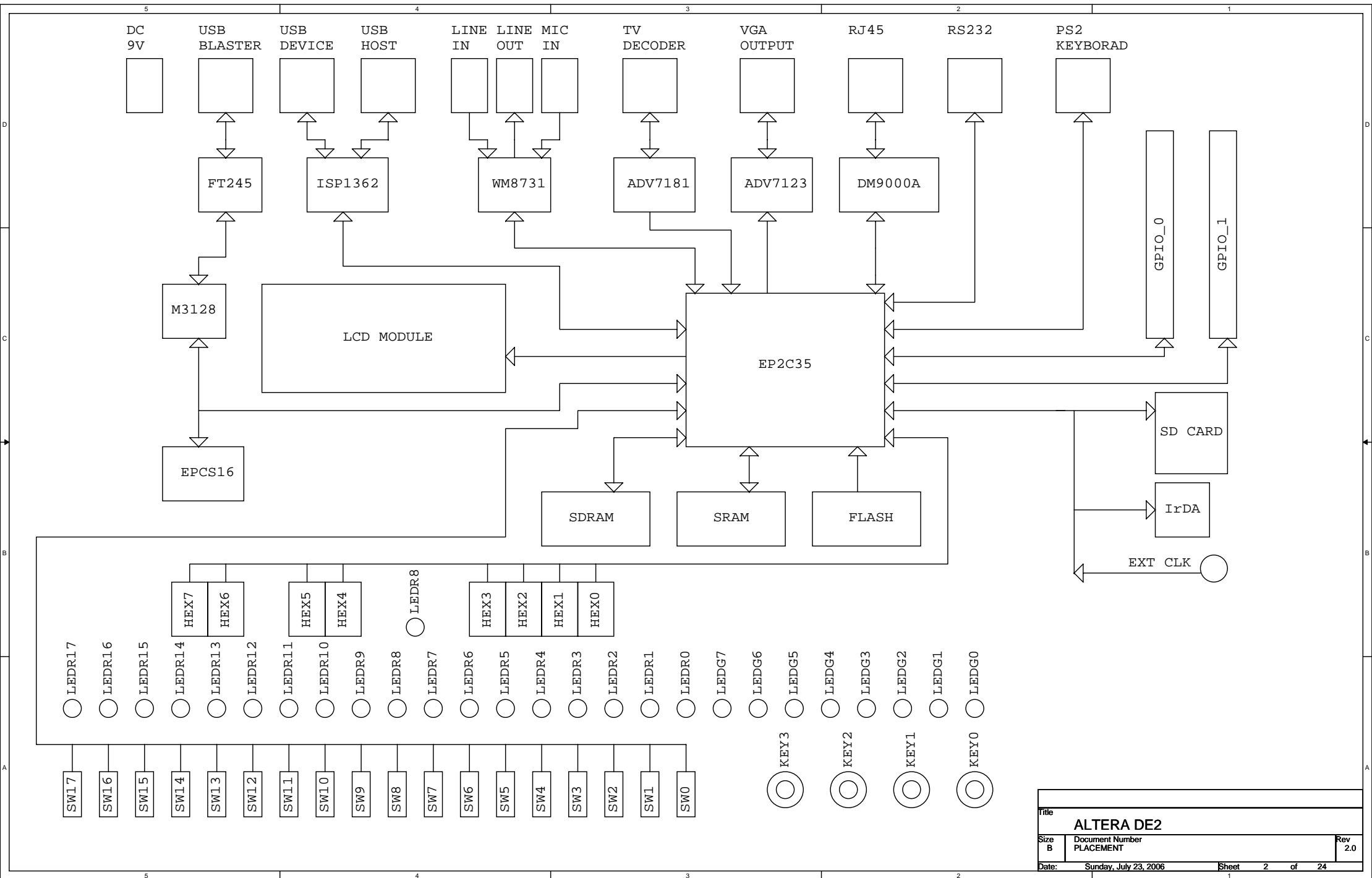
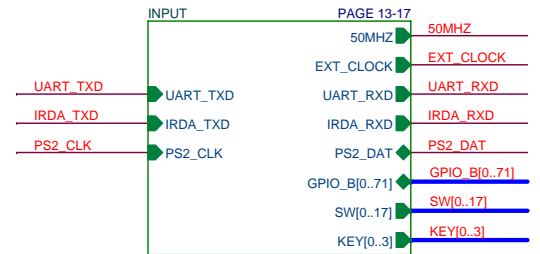
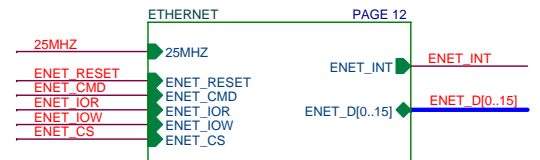
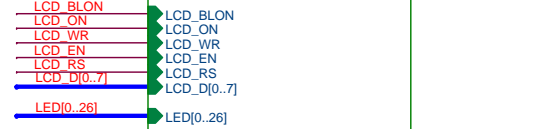
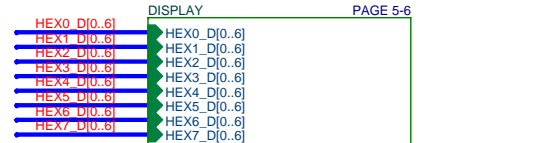
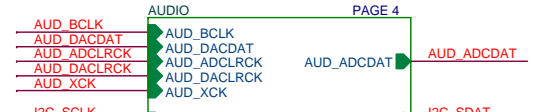
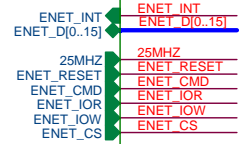
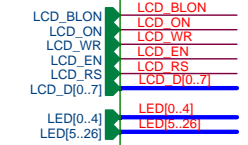
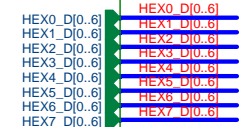
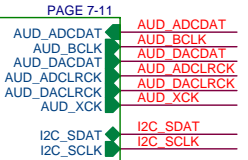
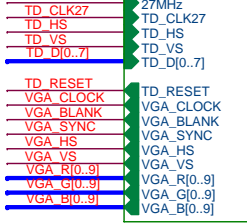
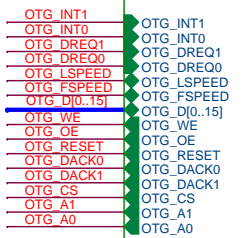
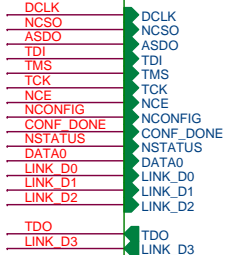
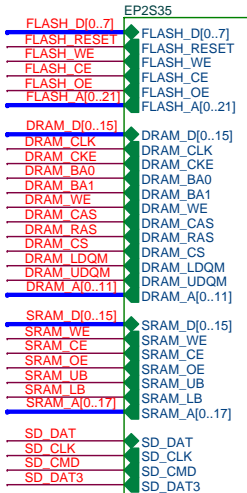
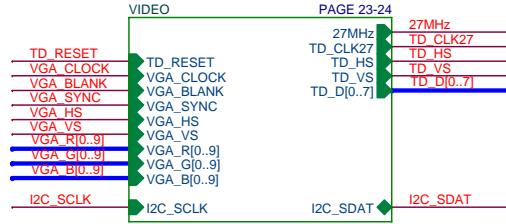
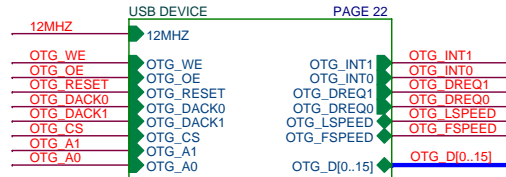
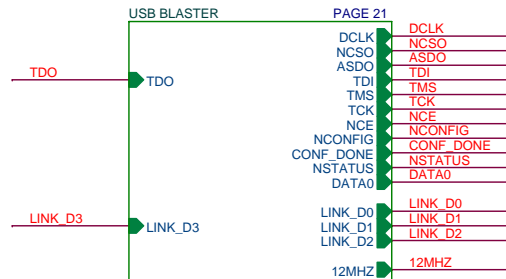
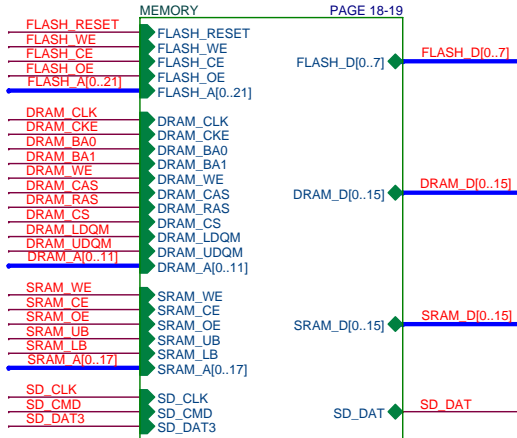


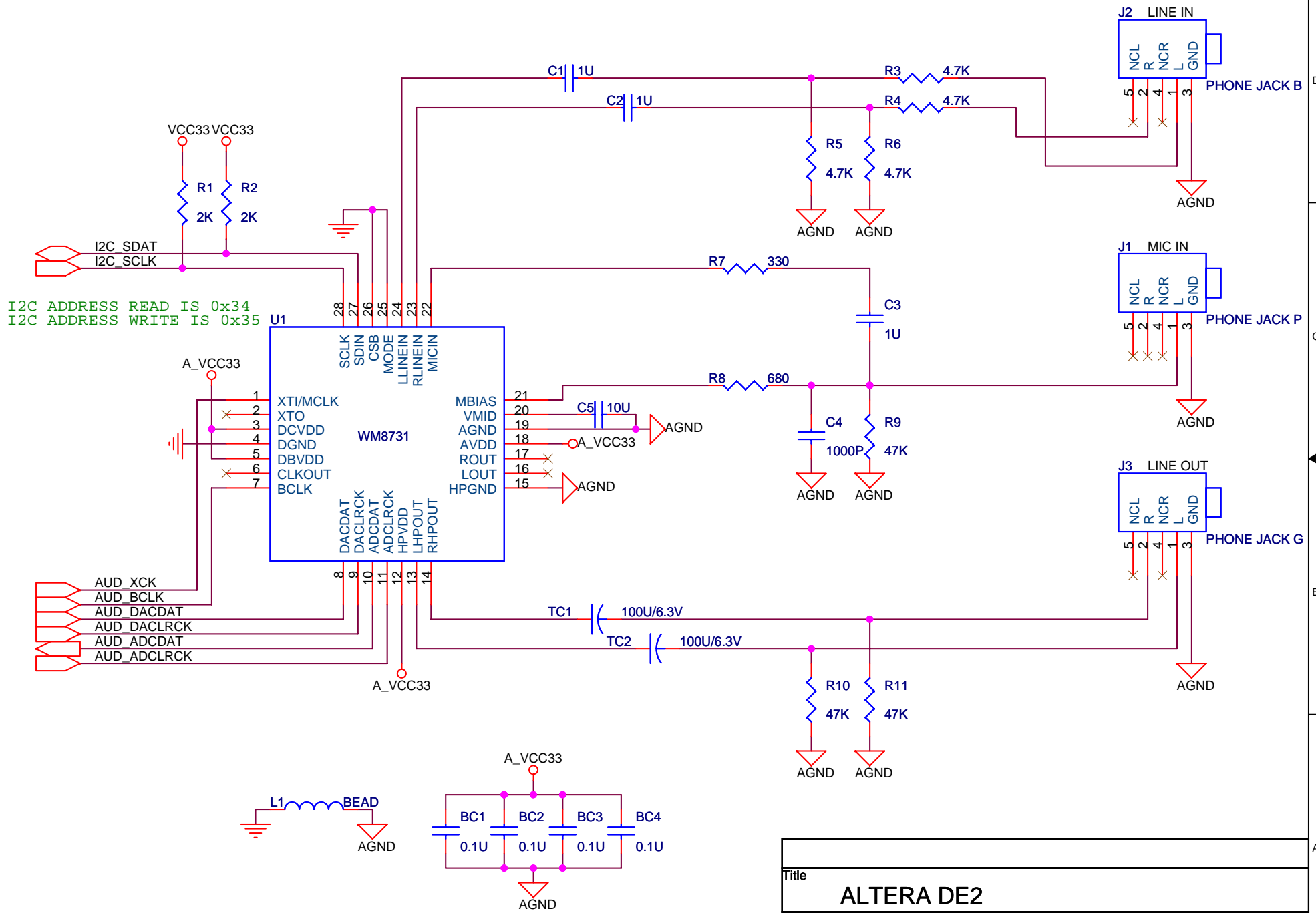
TERASIC CYCLONE II EP2C35 Development & Education BOARD

SCHEMATIC	CONTENT	PAGE
TOP	COVER PAGE , TOP	01 ~ 03
AUDIO	WM8731	04 ~ 04
DISPLAY	LCD , LED , 7SEGMENT	05 ~ 06
EP2C35	EP2C35 BANK1..BANK8 , POWER , CONFIG	07 ~ 11
ETHERNET	DM9000A	12 ~ 12
IN/OUT	CLOCK , PS2 , RS232 , KEY , SWITCH , CONNECT	13 ~ 17
MEMORY	SRAM , DRAM , FLASH , SD CARD	18 ~ 19
POWER	POWER	20 ~ 20
USB BLASTER	USB BLASTER	21 ~ 21
USB DEVICE	USB DEVICE	22 ~ 22
VIDEO	ADV7181 , ADV7123	23 ~ 24



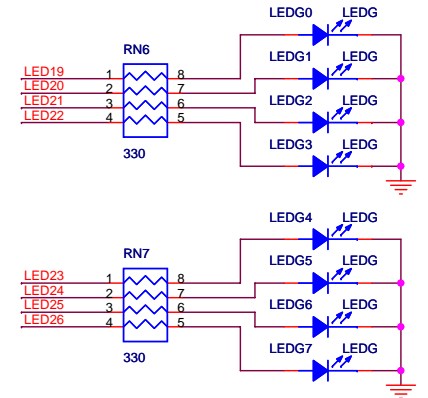
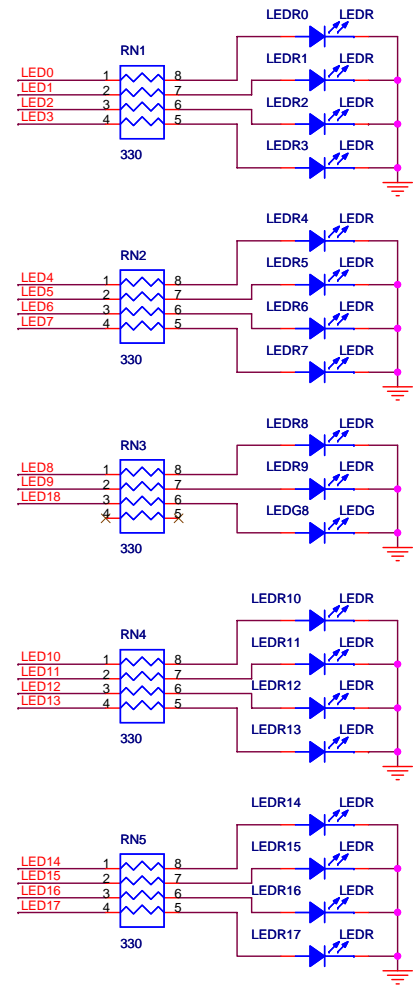
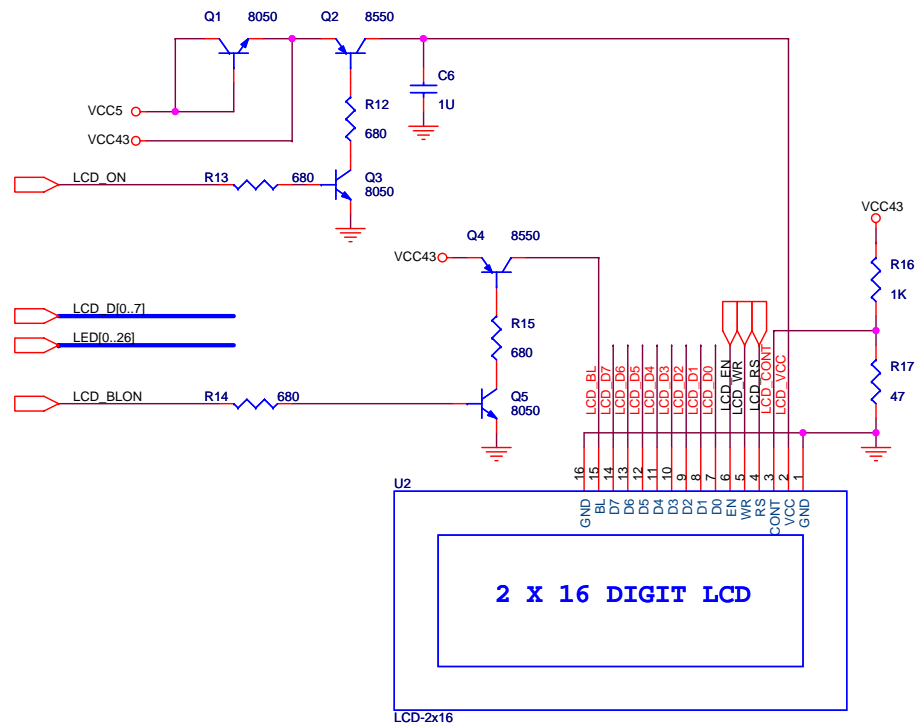


Title		
ALTERA DE2		
Size	Document Number	Rev
B	TOP LEVEL	2.0
Date:	Wednesday, August 02, 2006	Sheet 3 of 24

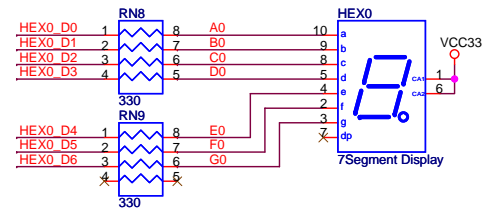
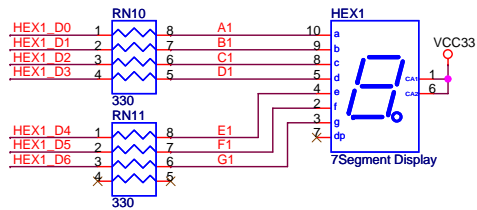
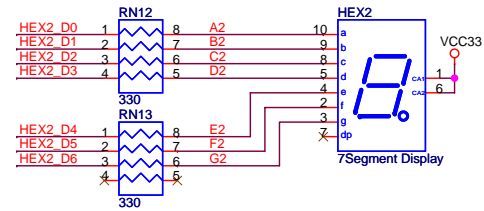
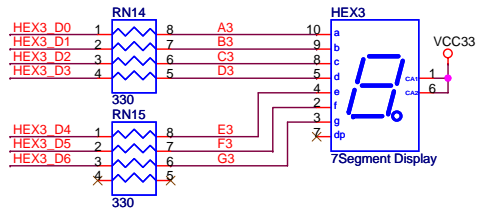
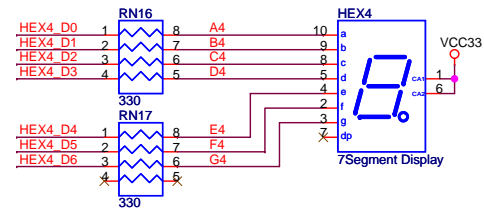
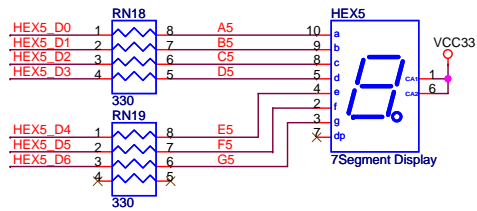
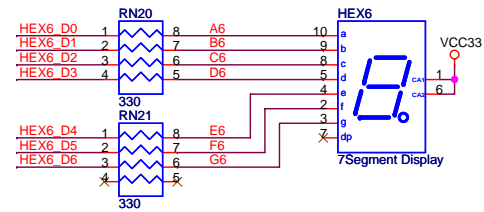
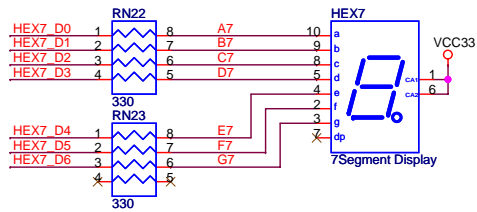


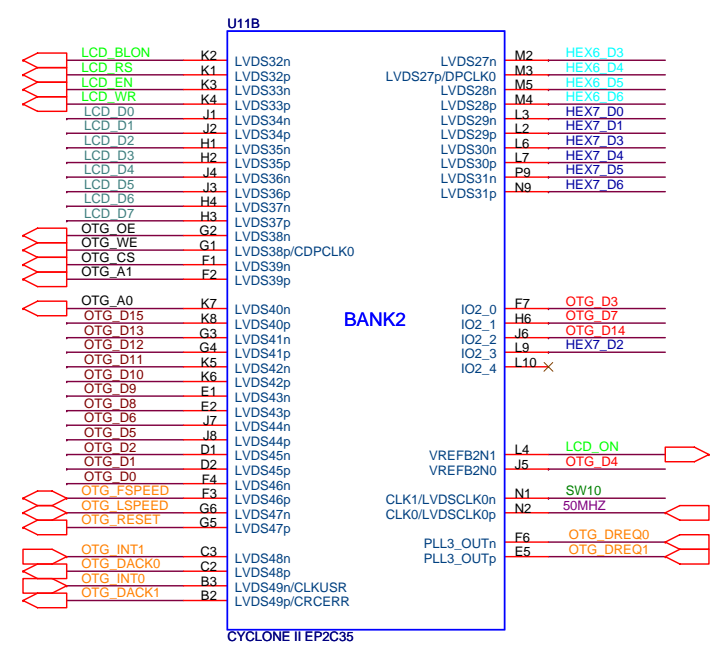
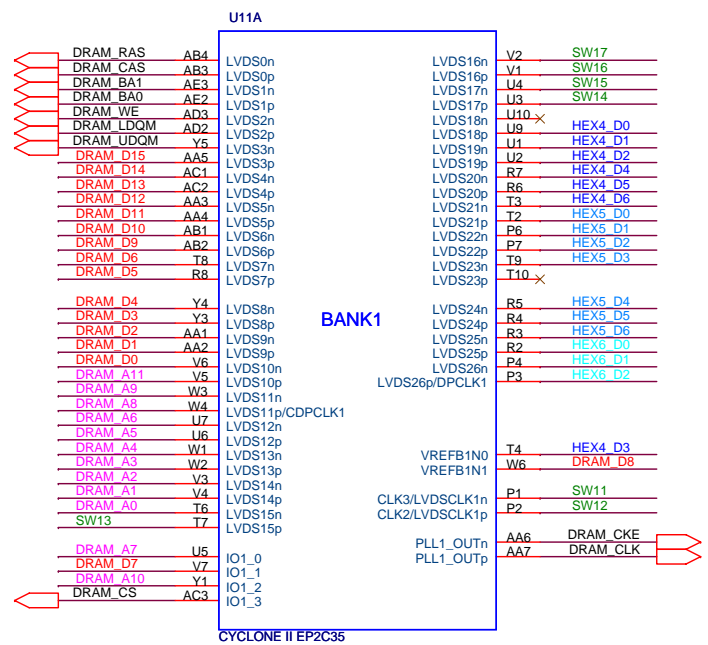
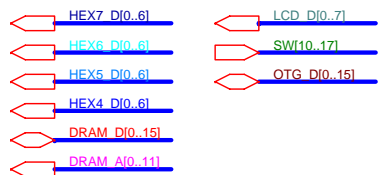
I2C ADDRESS READ IS 0x34
 I2C ADDRESS WRITE IS 0x35

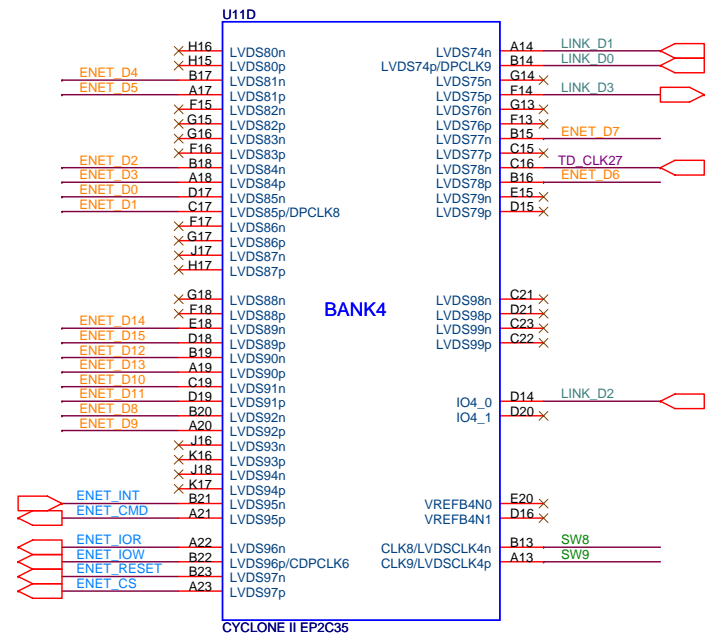
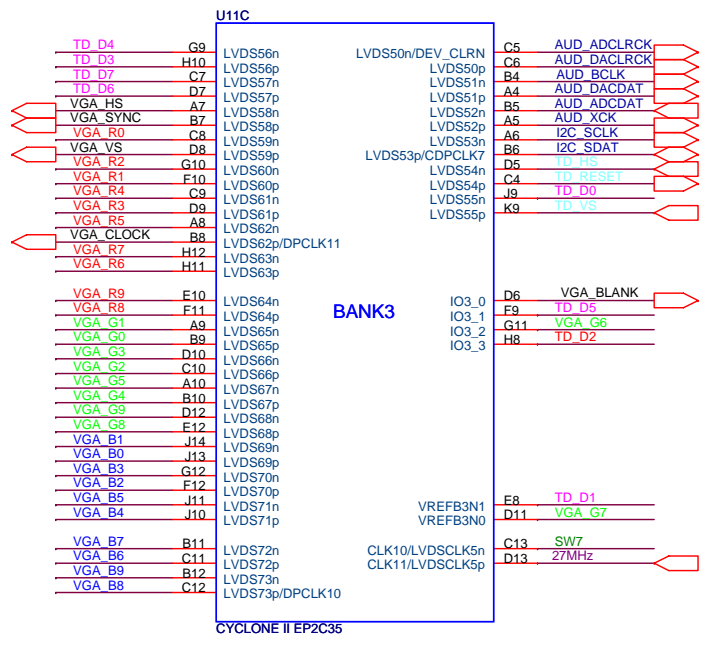
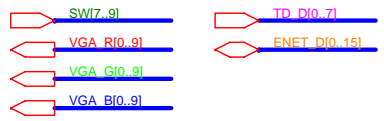
Title		
ALTERA DE2		
Size A	Document Number AUDIO	Rev 2.0
Date:	Tuesday, July 25, 2006	Sheet 4 of 24



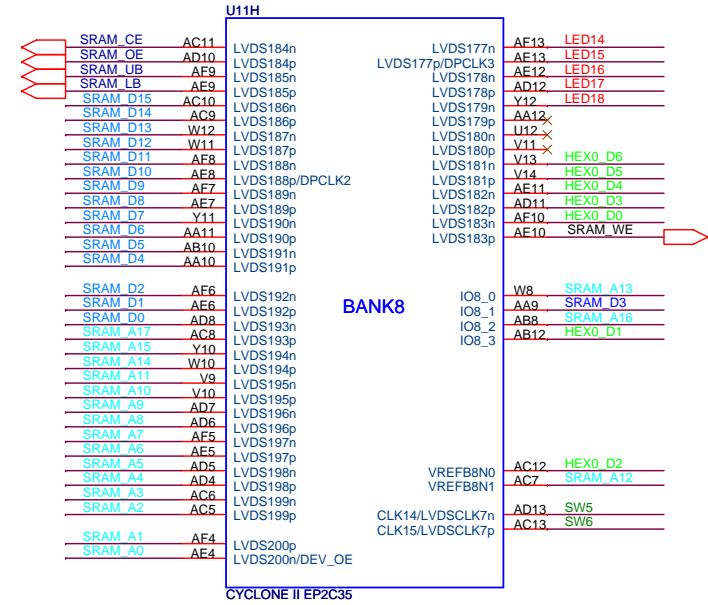
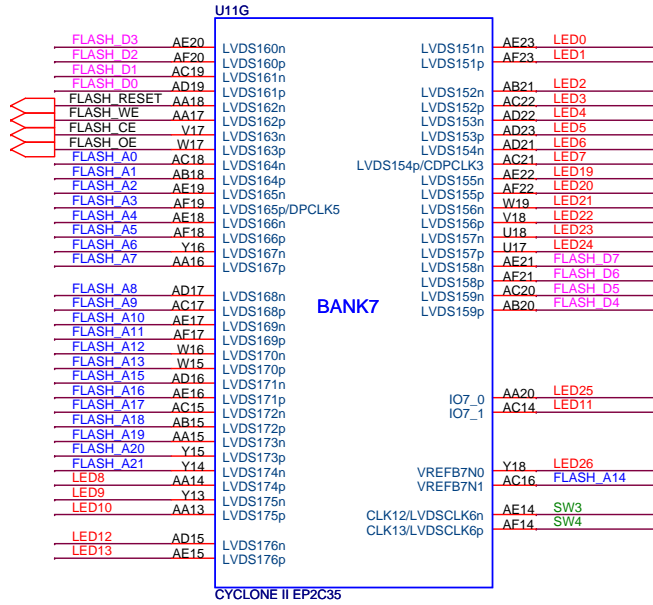
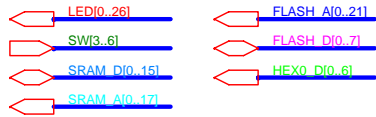
- ▶ HEX0_D[0..6]
- ▶ HEX1_D[0..6]
- ▶ HEX2_D[0..6]
- ▶ HEX3_D[0..6]
- ▶ HEX4_D[0..6]
- ▶ HEX5_D[0..6]
- ▶ HEX6_D[0..6]
- ▶ HEX7_D[0..6]

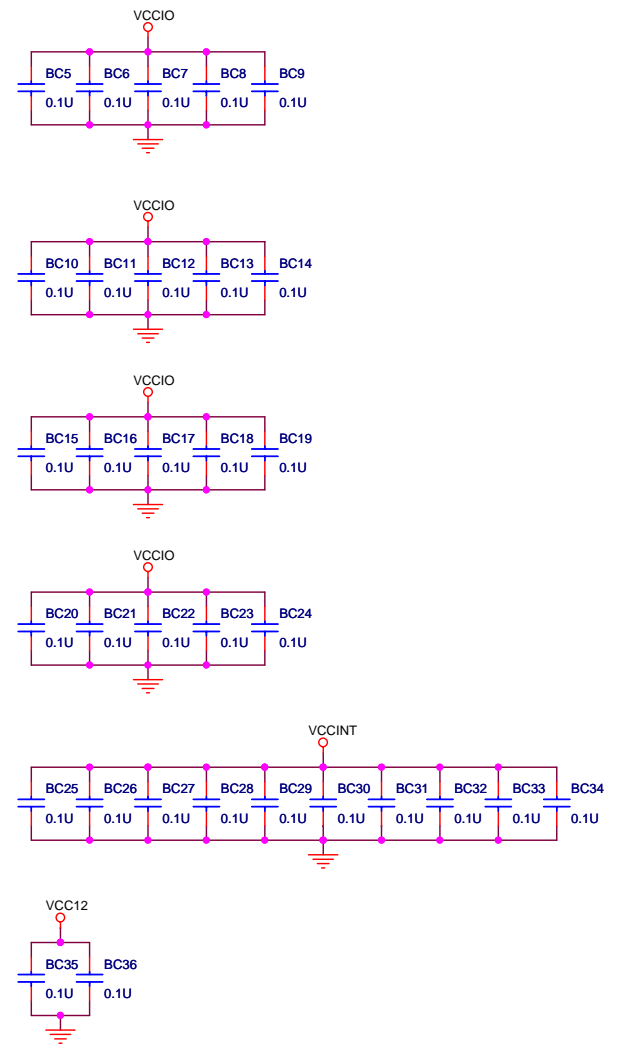
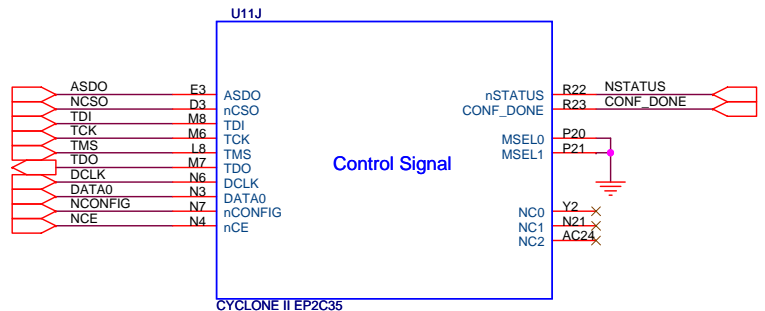
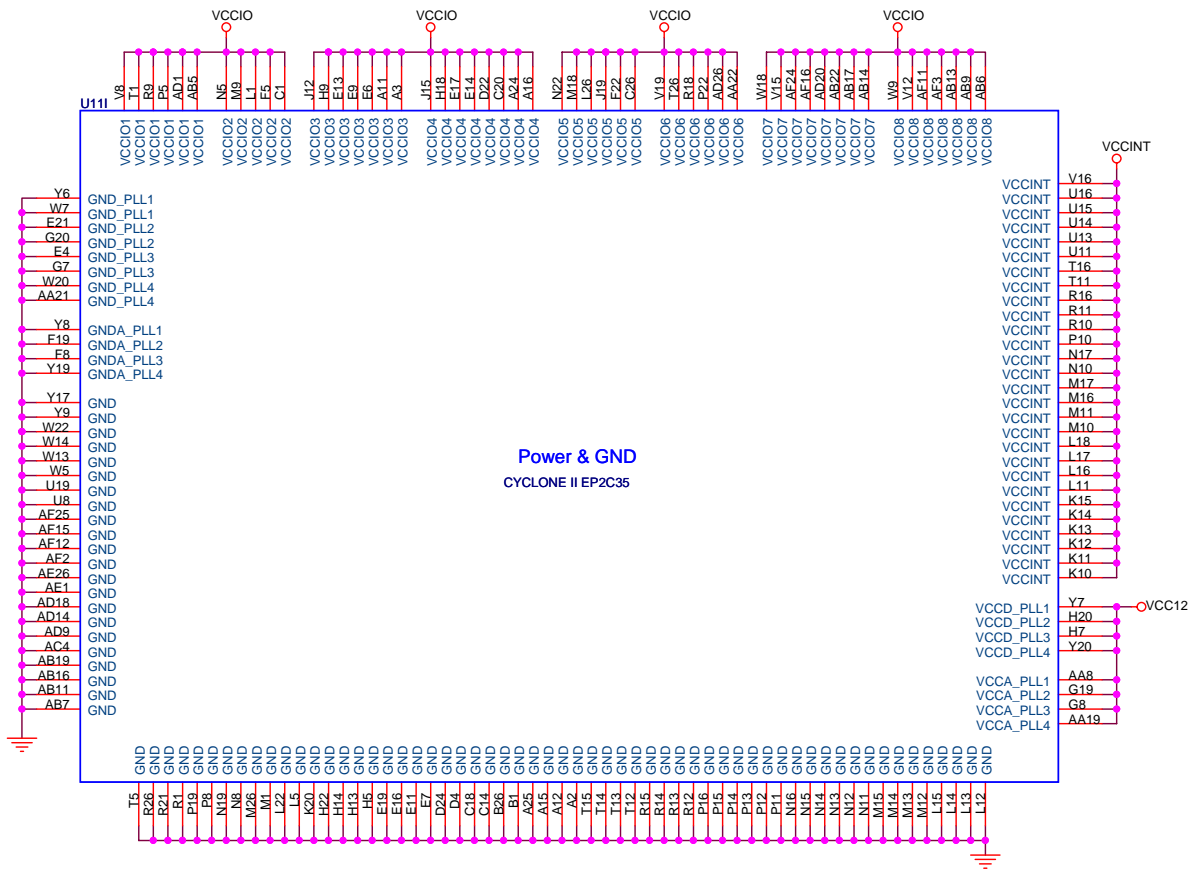




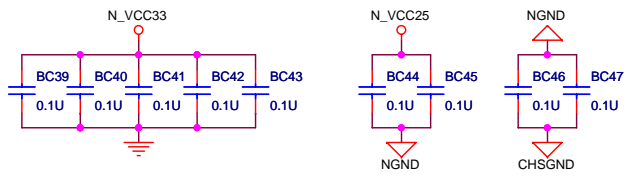
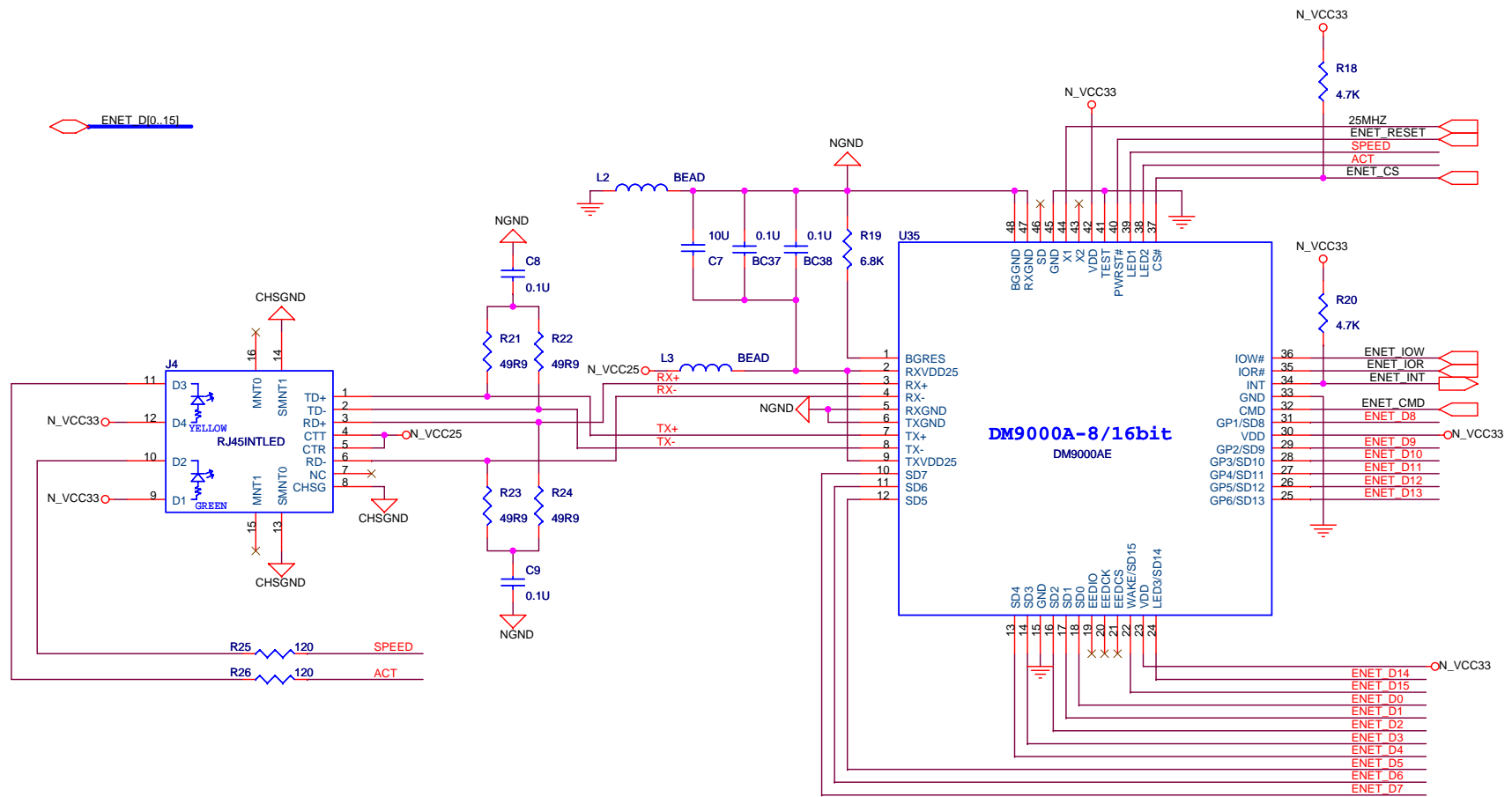


Title		
ALTERA DE2		
Size	Document Number	Rev
B	EP2C35 BANK3 AND BANK 4	2.0
Date:	Wednesday, August 02, 2006	Sheet 8 of 24

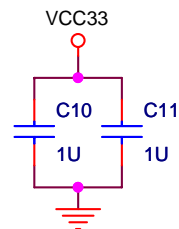
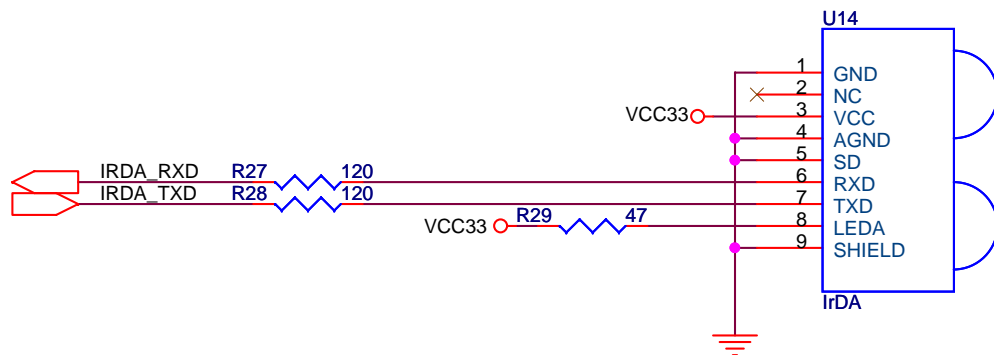
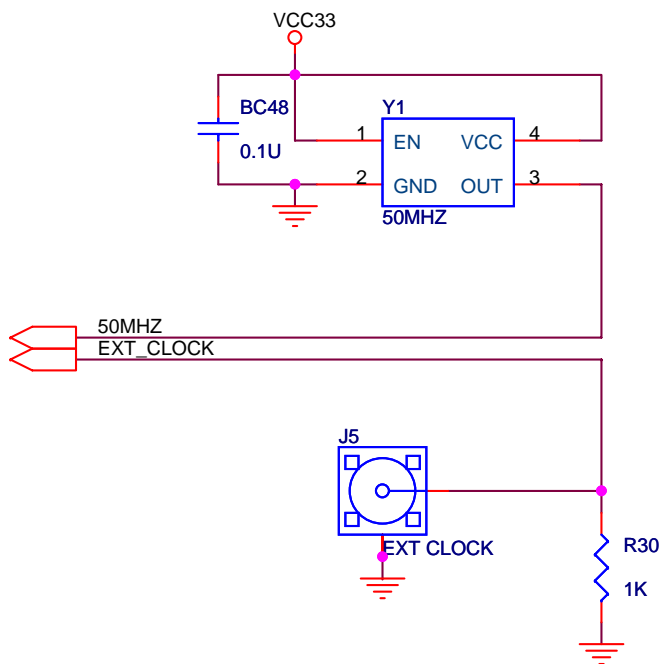




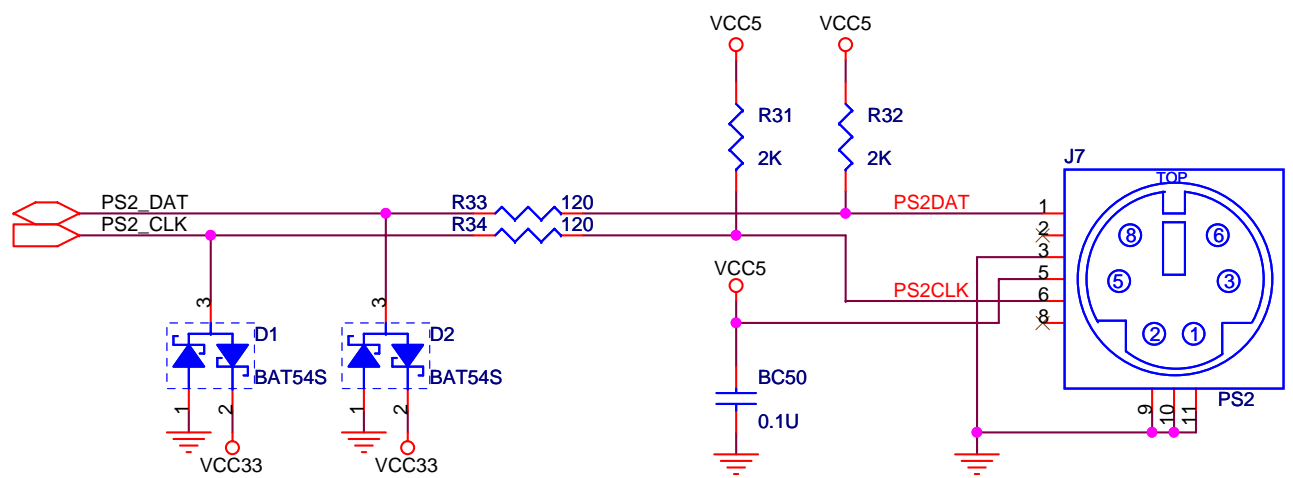
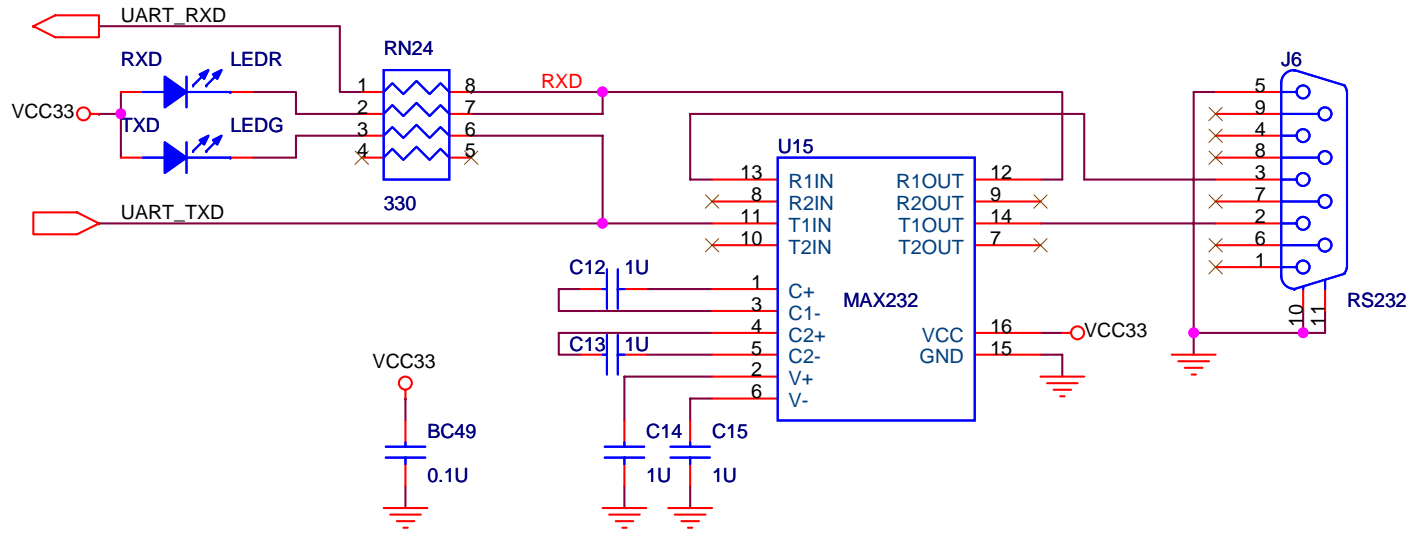
Title		
ALTERA DE2		
Size	Document Number	Rev
B	EP2C35 POWER AND CONFIG	2.0
Date:	Tuesday, July 25, 2006	Sheet 11 of 24



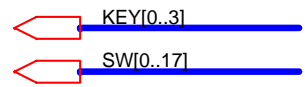
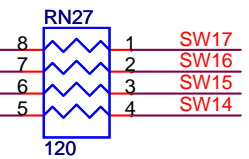
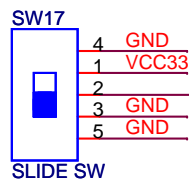
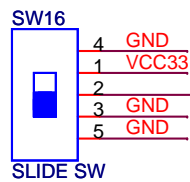
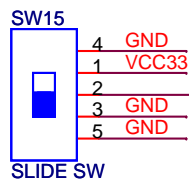
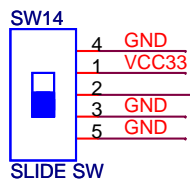
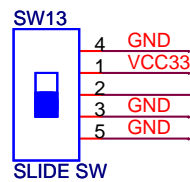
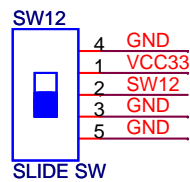
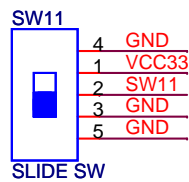
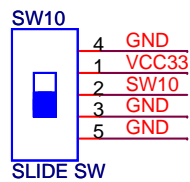
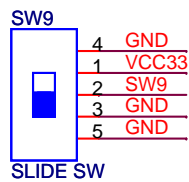
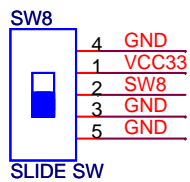
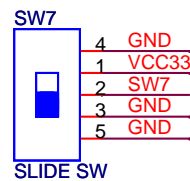
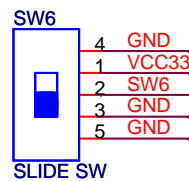
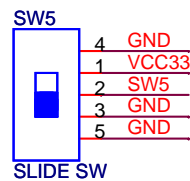
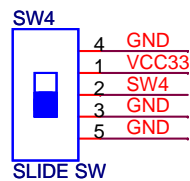
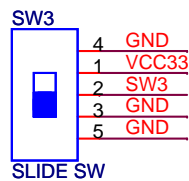
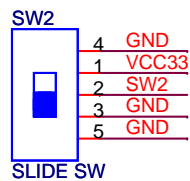
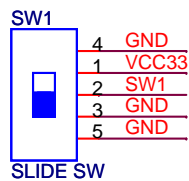
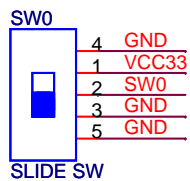
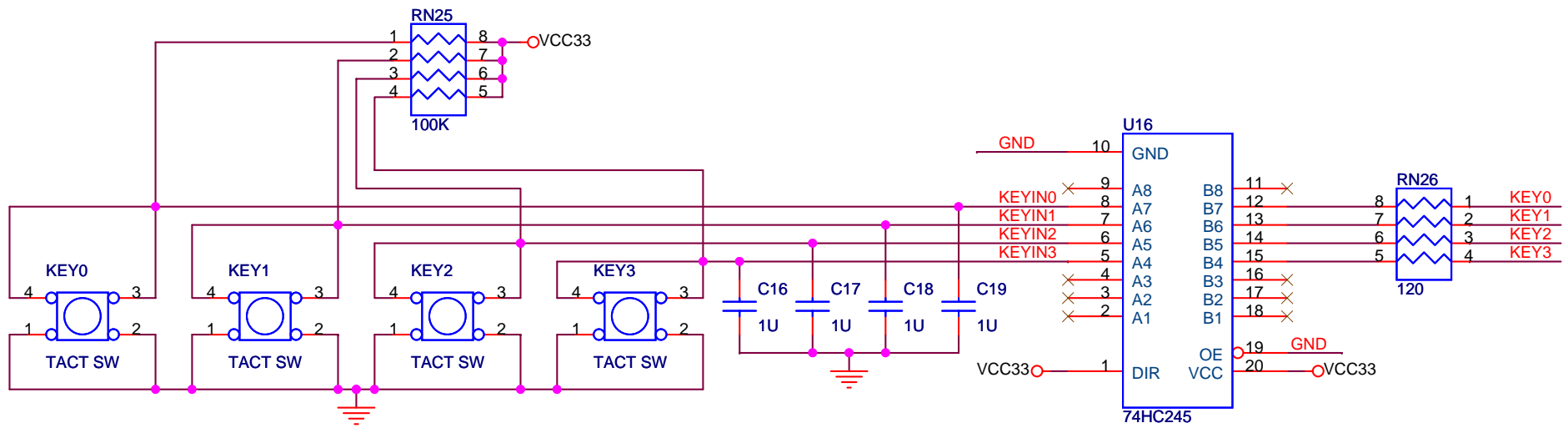
Title		
ALTERA DE2		
Size	Document Number	Rev
B	DM9000AE	2.0
Date:	Tuesday, July 25, 2006	Sheet 12 of 24



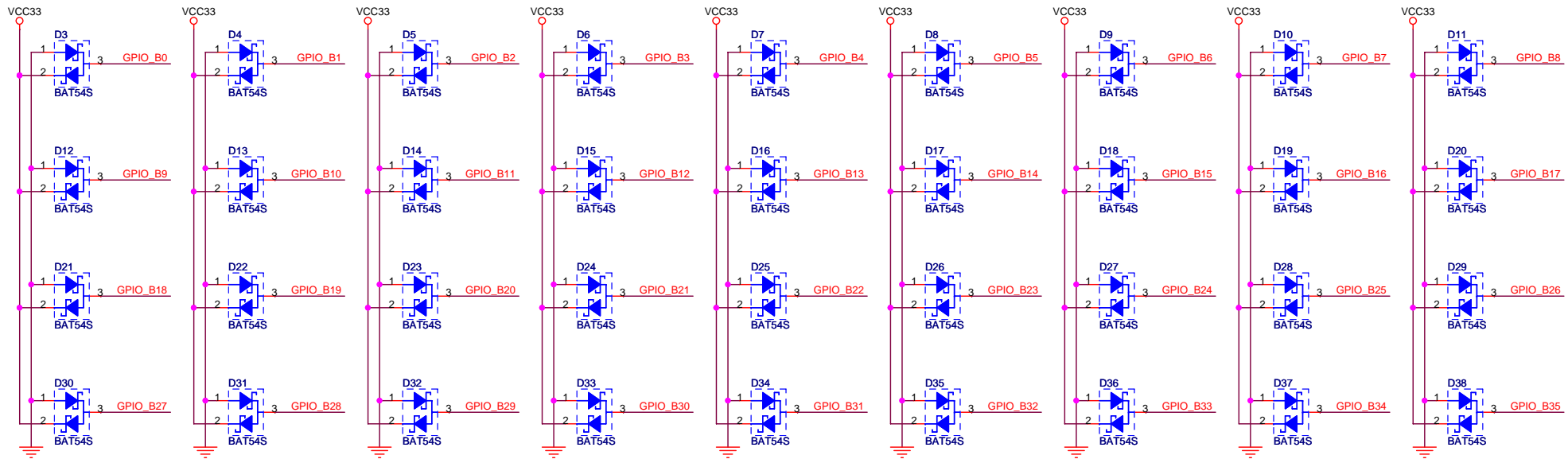
Title		
ALTERA DE2		
Size A	Document Number CLOCK and IrDA	Rev 2.0
Date:	Tuesday, July 25, 2006	Sheet 13 of 24



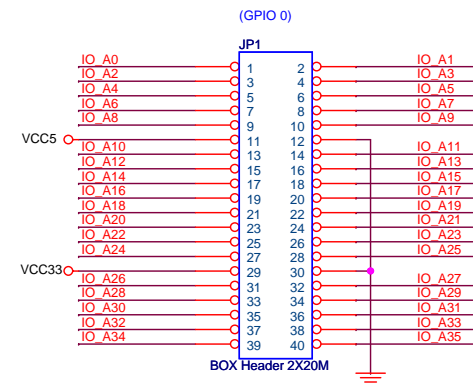
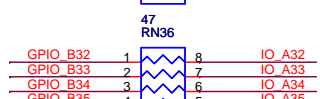
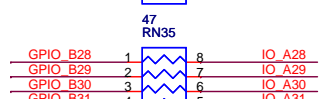
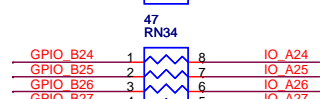
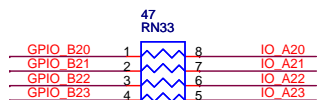
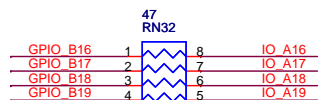
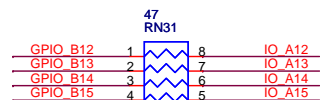
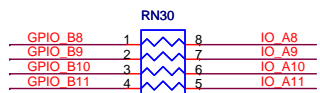
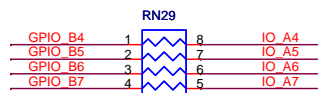
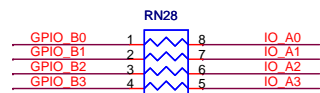
Title		
ALTEA DE2		
Size	Document Number	Rev
A	PS2 AND RS232	2.0
Date:	Tuesday, July 25, 2006	Sheet 14 of 24



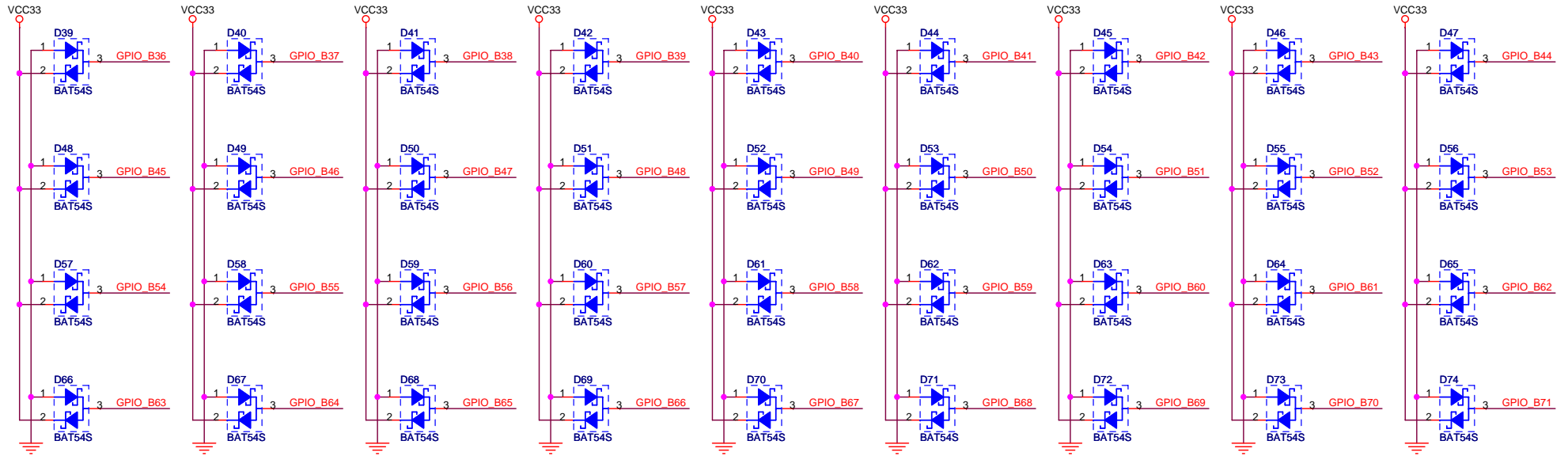
Title		
ALTERA DE2		
Size	Document Number	Rev
A	KEY AND SWITCH	2.0
Date:	Sunday, July 23, 2006	Sheet 15 of 24



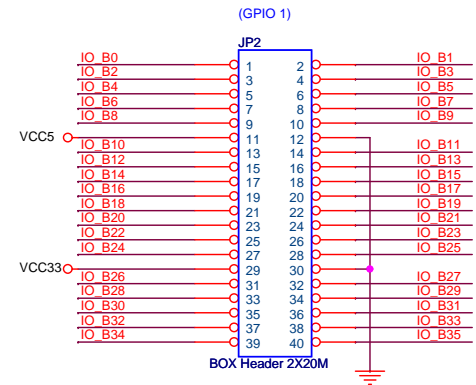
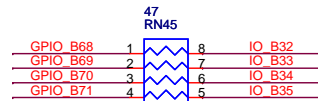
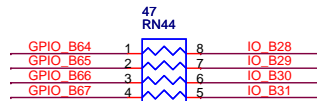
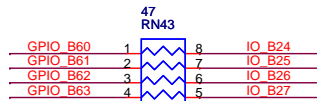
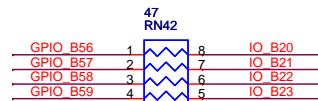
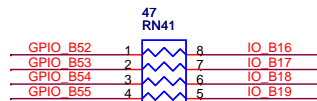
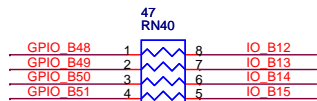
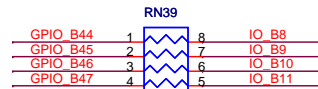
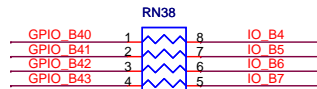
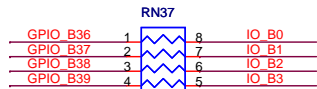
GPIO B[0..35]



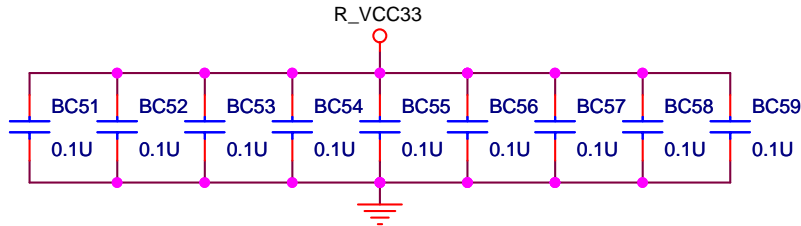
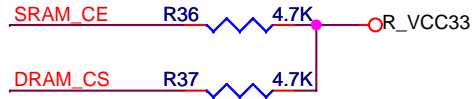
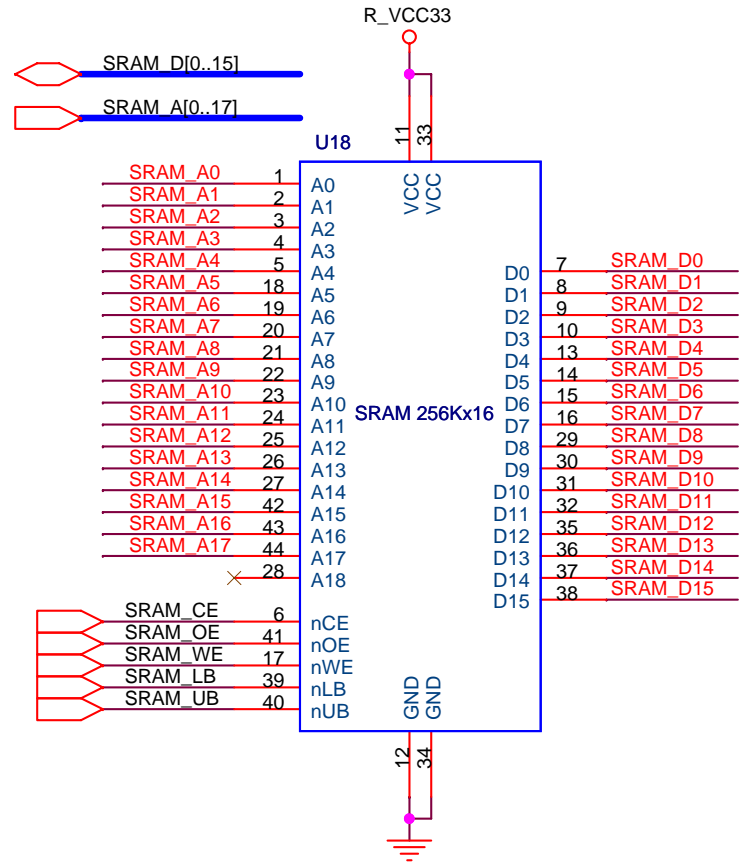
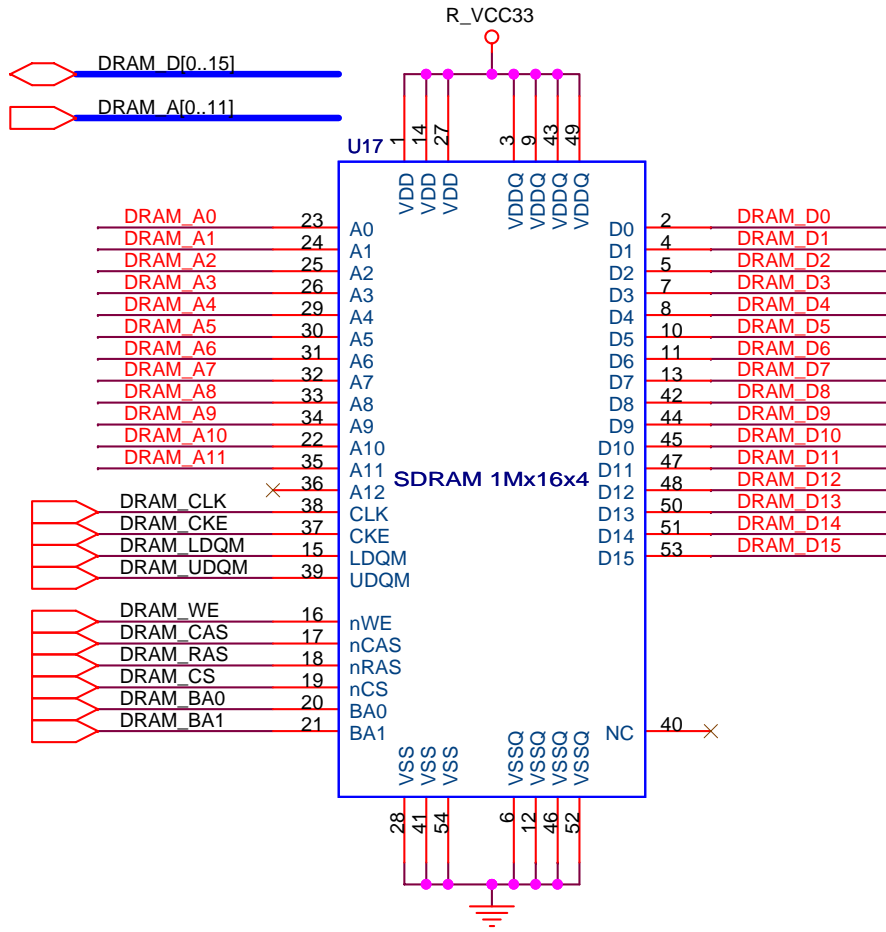
Title		
ALTERA DE2		
Size	Document Number	Rev
B	CONNECT A	2.0
Date:	Sunday, July 23, 2006	Sheet 16 of 24



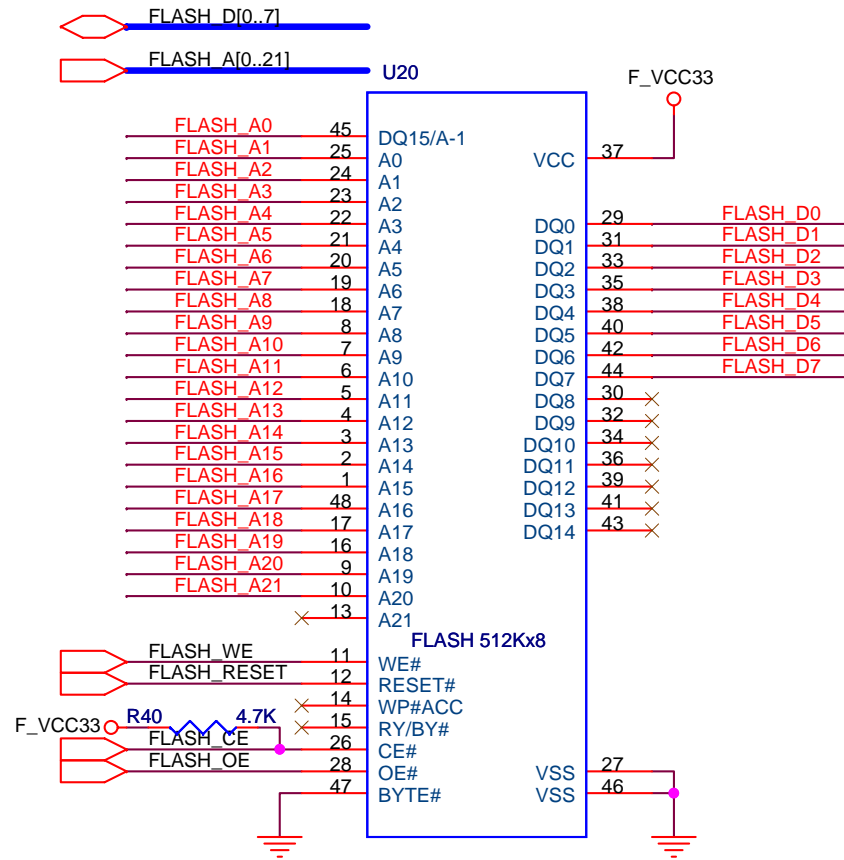
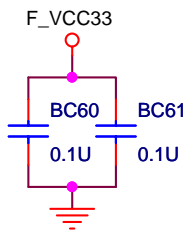
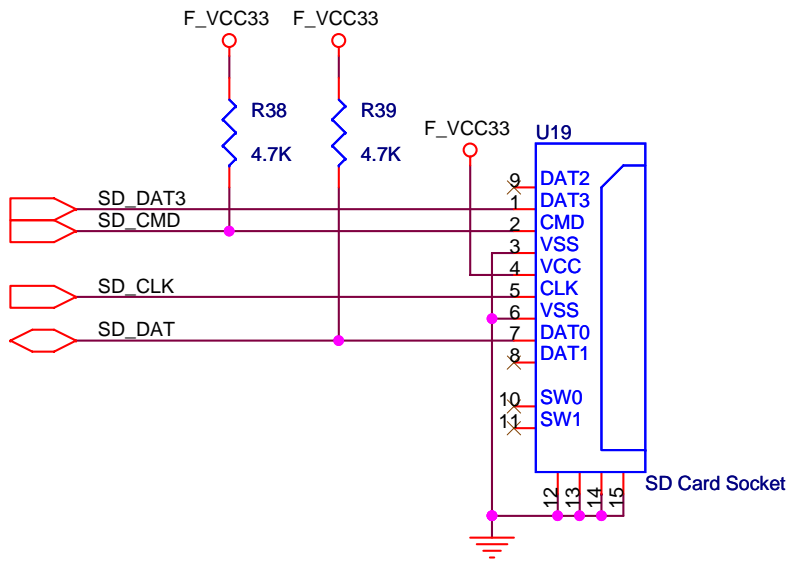
GPIO_B[36..71]



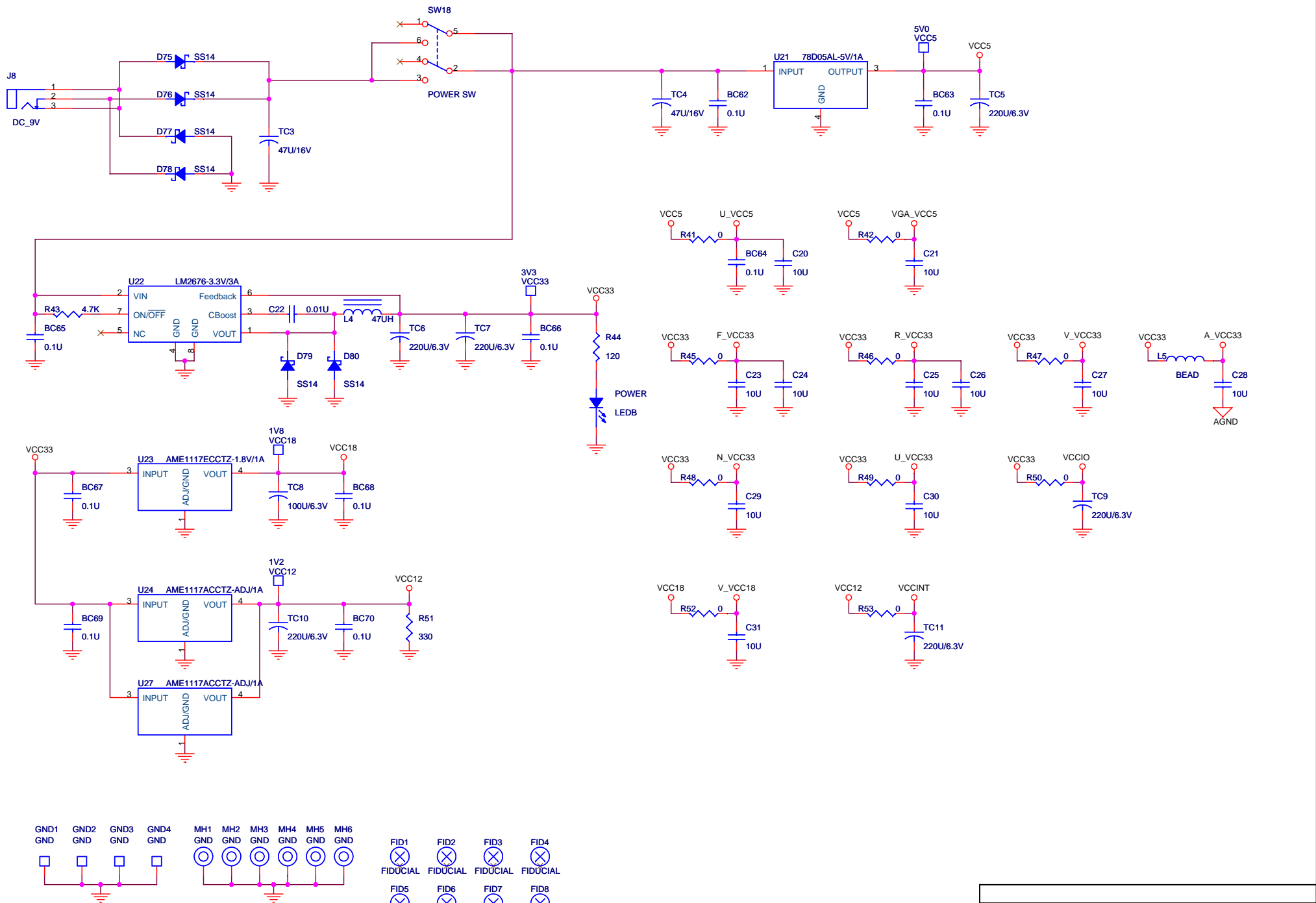
Title		
ALTERA DE2		
Size	Document Number	Rev
B	CONNECT B	2.0
Date:	Sunday, July 23, 2006	Sheet 17 of 24



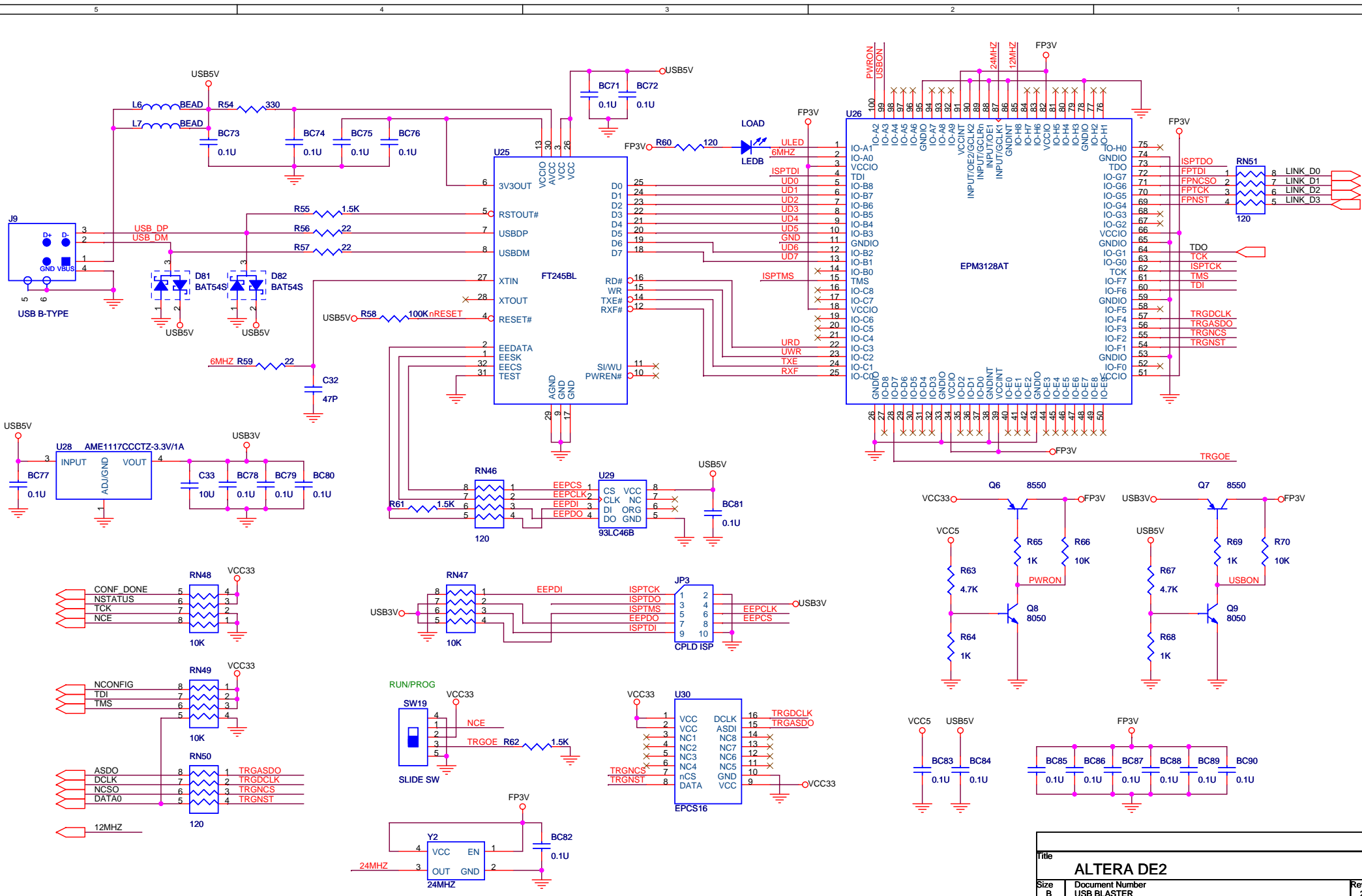
Title		
ALTERA DE2		
Size	Document Number	Rev
A	SDRAM and SRAM	2.0
Date:	Tuesday, July 25, 2006	Sheet 18 of 24



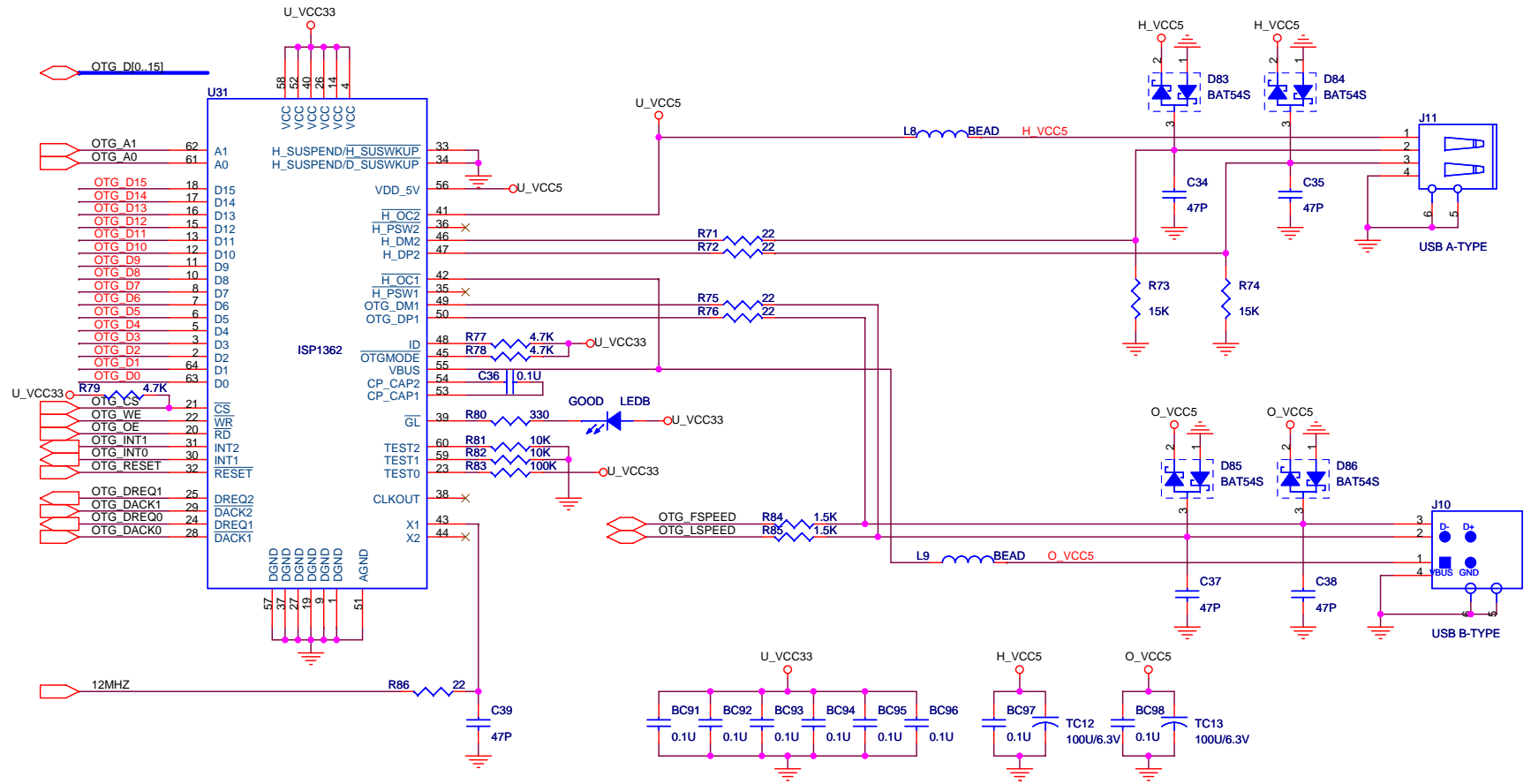
Title		
ALTERA DE2		
Size	Document Number	Rev
A	FLASH and SD Card	2.0
Date:	Tuesday, July 25, 2006	Sheet 19 of 24



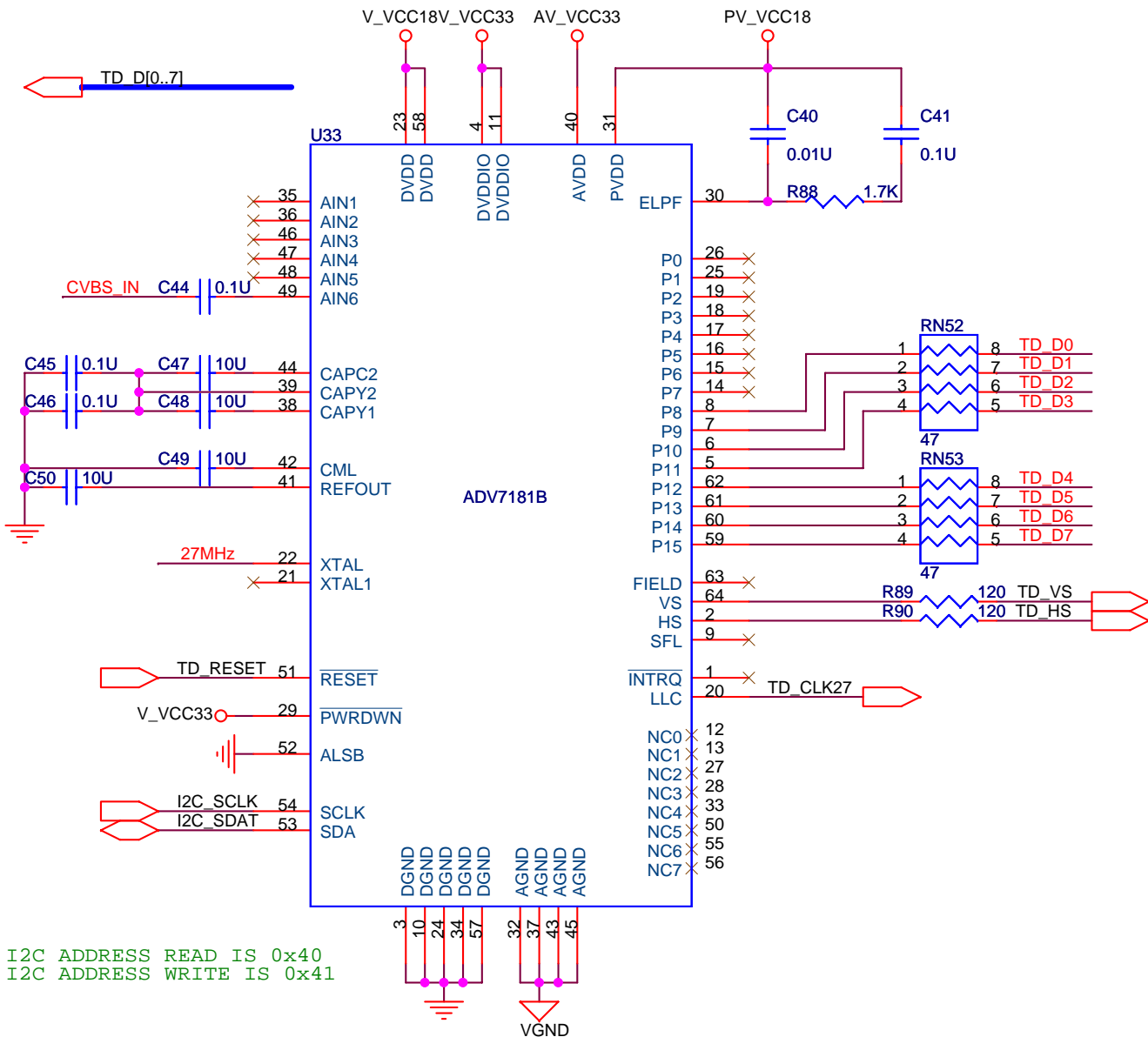
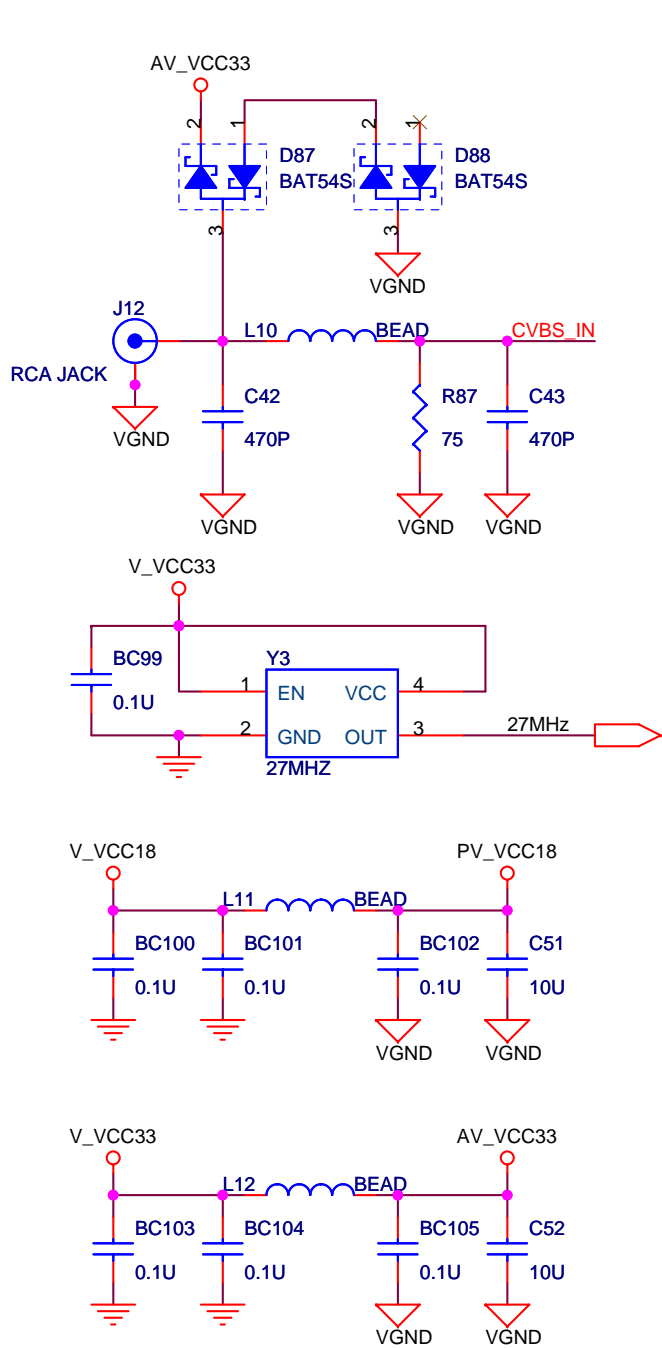
Title			ALTERA DE2
Size	Document Number	Rev	
	POWER	2.0	
Date:	Friday, August 04, 2006	Sheet	20 of 24



Title		
ALTERA DE2		
Size	Document Number	Rev
B	USB BLASTER	2.0
Date:	Wednesday, July 26, 2006	Sheet 21 of 24



Title		
ALTERA DE2		
Size	Document Number	Rev
B	ISP 1362	2.0
Date:	Wednesday, August 02, 2006	Sheet 22 of 24



I2C ADDRESS READ IS 0x40
I2C ADDRESS WRITE IS 0x41

Title		
ALTERA DE2		
Size	Document Number	Rev
A	ADV7181B	2.0
Date:	Wednesday, August 02, 2006	Sheet 23 of 24

