

Repurposing an HP Calculator

Lab 1: Hello World

Computer Science and Computer Engineering Gateway Project

Stephen A. Edwards

Fall 2011

Abstract

In this project, you will write new firmware for an HP 20b calculator. This is an example of embedded programming—coding software for something that does not, and should not, appear to be a computer in the traditional sense, yet is one at its core. The plummeting cost of integrated circuits has made such embedded systems ubiquitous, and this trend promises to continue. The challenges of designing such systems run the gamut from traditional electrical issues such as sensor noise and power consumption all the way to high-level computer science problems such as efficient algorithm design to human factors engineering. You will experience all of these, and learn some standard solutions, while performing this project.

Introduction

In 2008, over ten billion processor chips were manufactured and sold¹—more than one for every human on earth. While we are all familiar with the heavily marketed high-end Intel and AMD processors residing within our desktop and notebook computers, these represent only about two percent of the total. The rest are so-called embedded processors residing in familiar objects such as cell phones and MP3 players, but many end up in far less likely places such as cars, televisions, DVD players, and toys. Once, I even found a microprocessor in my breakfast cereal.² These things are everywhere, and somebody has to program them.

In this project, you will do some embedded programming by creating new firmware for the HP 20b calculator (Figure 1). Unlike most consumer products, this one was “opened” by HP: they provide schematics and a software development kit, so it is fairly straightforward to turn this calculator into something it wasn’t originally designed to be. For example, I turned it into a serial terminal intended as a remote control for low-cost power distribution systems designed for third world countries.³

The HP 20b

The HP 20b is little more than a keyboard and liquid crystal display (LCD) connected to an Atmel AT91SAM7L128 processor. This mouthful of a name, which I will abbreviate to SAM7L, was given to it because it is part of Atmel’s AT91SAM series of chips, which are all built around an ARM processor core (“AT” is for Atmel; “SAM” is “smart ARM core;” 91 appears to be arbitrary). The 7L series of microcontrollers



Figure 1: The front and back of the HP 20b calculator. I added the JTAG header and power connector so we could develop software on these without draining batteries.

are designed for low power (hence the L), and the final 128 is a reminder that it includes 128K of flash program memory.

Figure 2 shows a block diagram of the SAM7L chip. It looks complicated, but is essentially a single standard processor surrounded by memory and a wide variety of peripherals, most of which we will not use. You should be aware of the system controller, which, through software, controls the clock and power supply of each peripheral. This makes it possible to save energy by not powering on unneeded peripherals, but can also make a peripheral appear not to work if you neglect to turn on its power.

For this project, the two most interesting peripherals are the LCD controller, which generates the complex AC waveforms necessary to drive the calculator’s multiplexed LCD display; to software, the LCD appears as a series of memory locations whose bits control individual LCD segments.

¹Michael Barr. Real men program in C. *Embedded System Design*, August 1st, 2009. <http://www.embedded.com/columns/barr/code/218600142>.

²Xbox 360 “mini games” in Apple Jacks cereal: http://www.youtube.com/watch?v=jUNsQFG_5Pk

³Prof. Vijay Modi of the mechanical engineering department is spearheading such a project. See <http://modi.mech.columbia.edu/>.

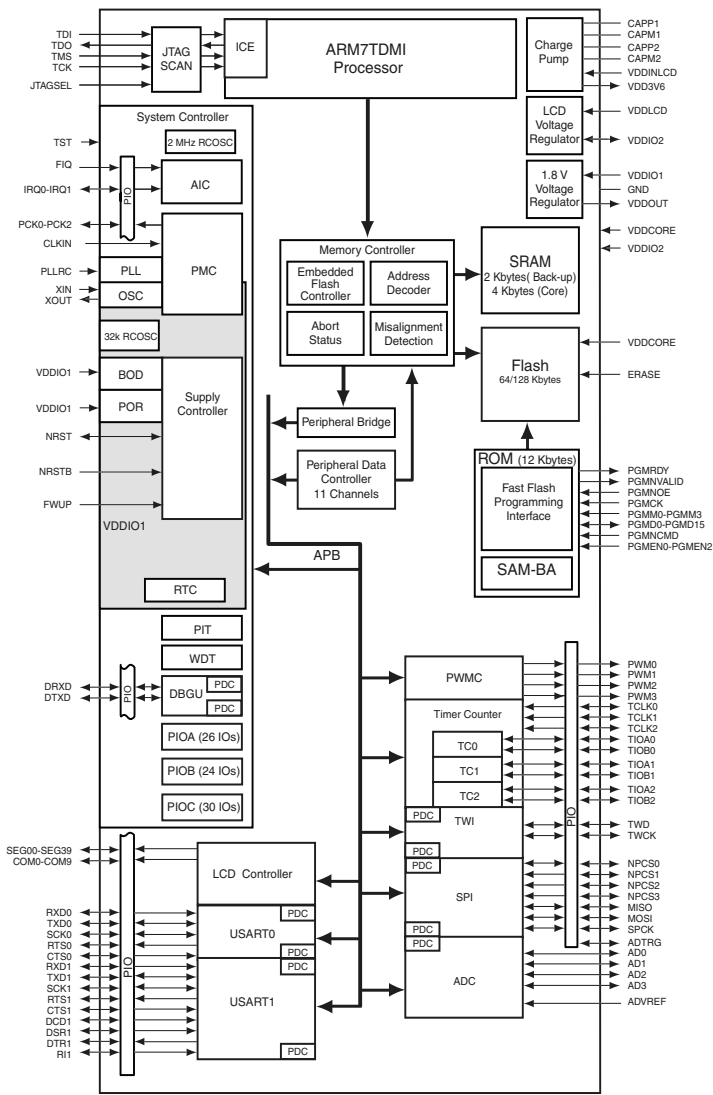


Figure 2: Block diagram of the AT91SAM7L chip. This consists of an ARM7TDMI processor core surrounded by memory, a system (clock) controller, an LCD controller, and a variety of other peripherals. Source: Atmel.

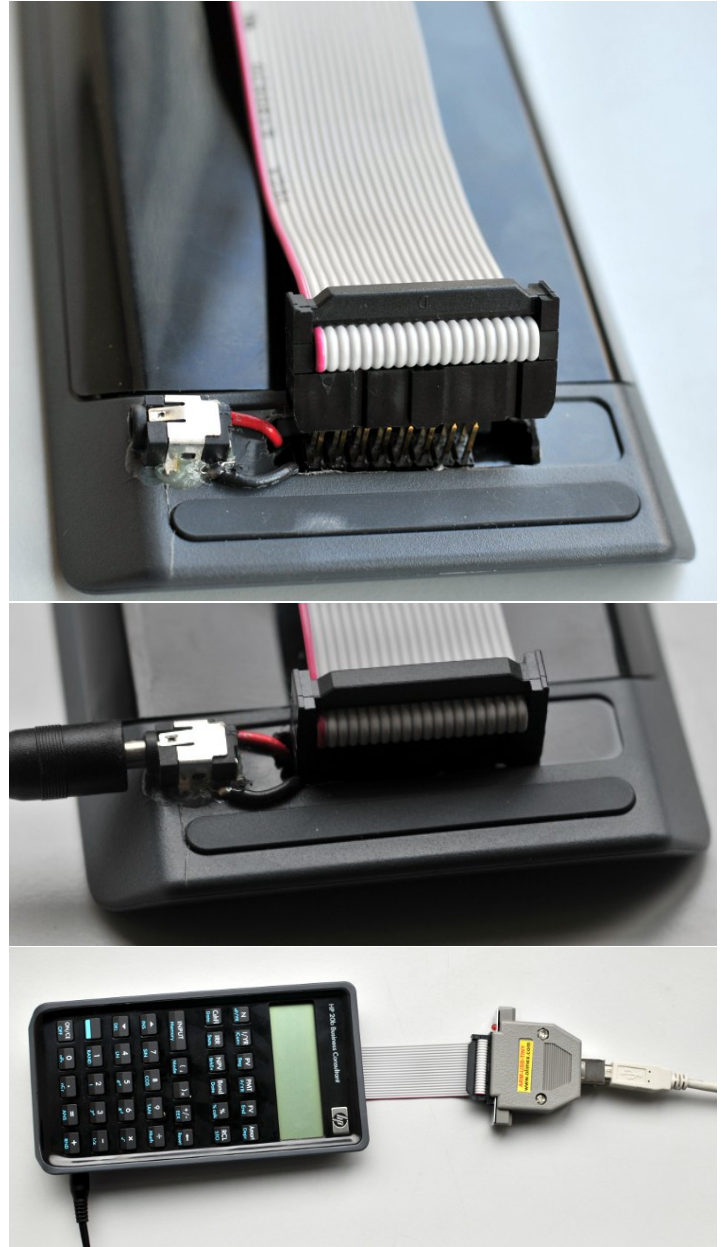


Figure 3: Connecting to the development ports on the back of the HP 20b calculator. Note that the JTAG connector extends beyond the header.

What the heck is a JTAG?

We will communicate with the processor through a JTAG⁴ port, which is built into the SAM7L. The 20b's circuit board has a convenient place to solder a connector that bring out the JTAG signals, which I have already done for you.

Our development environment consists of Linux workstations with JTAG adapters connected to the USB ports. On the workstations, we are using a software package called "OpenOCD"⁵ that communicates to the SAM7L CPU through USB and JTAG.

Figure 3 show how the hardware works. Plug the 20-pin connector onto the calculator's JTAG connector making sure to have the red wire (pin 1) on the left when you are looking at the back of the calculator. The calculator's connector has only 16 pins; make sure the JTAG connector extends past the pins *only the right side*. The unconnected four pins do not do anything we care about.

Compiling and Running "Hello"

Download the *lab1.tar.gz* file from the class webpage and unpack it:⁶

```
$ tar xzf lab1.tar.gz
$ cd lab1
$ ls -F
AT91SAM7L128.h crt0.S hello.c lcd.h openocd.cfg
board/ flash.lds lcd.c Makefile target/
$
```

This contains all the rules and scripts to compile the program and download it to the calculator. See Table 1 for a list of the files and what they do. First compile the program into a form to be downloaded by invoking the *make* program:

```
$ make lab1.hex
arm-linux-gnueabi-gcc -Wall -Dat91sam7l128
-mcpu=arm7tdmi -marm -c crt0.S
arm-linux-gnueabi-gcc -Wall -Dat91sam7l128
-mcpu=arm7tdmi -marm -c hello.c
arm-linux-gnueabi-gcc -Wall -Dat91sam7l128
-mcpu=arm7tdmi -marm -c lcd.c
arm-linux-gnueabi-gcc -nostartfiles -Wl,--gc-sections
-static -Tflash.lds -o lab1.elf crt0.o hello.o lcd.o
arm-linux-gnueabi-objcopy -O ihex lab1.elf lab1.hex
$
```

There are a lot of magic incantations at work here, but broadly, this compiles the *crt0.S*, *hello.c*, and *lcd.c* files into corresponding binary *.o* files, links them together to produce *lab1.elf*, then transforms that into the loadable *lab1.hex* file.

The *make* utility is a powerful tool for compiling programs. If you modify any of the files and type *make lab1.hex* again, it will only repeat the steps that are necessary. See the contents of the *Makefile* for more details.

Once you've compiled the *hello* program, download it to the calculator by typing *make flash*.

If you see the following, the JTAG adapter probably isn't properly connected to the workstation. Check that it is attached to the USB cable and that the cable is plugged into the computer.

⁴The Joint Test Action Group originally developed this protocol for testing printed circuit boards. Today, virtually every microcontroller has a JTAG port for development and debugging.

⁵Open on-chip debugger: <http://openocd.berlios.de/web/>

⁶Here, I'm using *tar*, the Tape ARchiver program; the graphical *File Roller* program will also work.



Figure 4: Running the "Hello" program

```
$ make flash
openocd -f openocd.cfg \
...
Error: unable to open ftdi device: device not found
Command handler execution failed
$
```

If you get the following error, the JTAG adapter wasn't able to establish communication with the SAM7L chip in the calculator.

```
$ make flash
openocd -f openocd.cfg \
...
Error: JTAG scan chain interrogation failed: all ones
Error: Check JTAG interface, timings, target power, etc.
...
$
```

This error occurs if the calculator isn't properly connected to the JTAG adapter with the 20-pin ribbon cable, if the calculator doesn't have power (press the ON/CE button and check the power connector), or if the SAM7L chip is sleeping. The latter may occur if the calculator still has its stock firmware (i.e., still behaves as HP intended); holding down a calculator key keeps the processor awake to work around this problem.

If all goes well, your calculator should look like Figure 4 and you should see a lengthy series of commands and comments that looks roughly like

```
$ make flash
openocd -f openocd.cfg \
...
Info : JTAG tap: at91sam7l128.cpu tap/device found:
      0x3f0f0f0f (mfg: 0x787, part: 0xf0f0, ver: 0x3)
...
target halted in ARM state due to debug-request,
...
wrote 1120 bytes from file lab1.hex
...
shutdown command invoked
$
```

Table 1: Files in *lab1.tar.gz*

Makefile	Rules for compiling and downloading the program to the calculator. Add source file names here.
hello.c	The main program: initialize the LCD and display a string. Edit this file to add functionality.
lcd.c	LCD-related functions and data. This you may want to read.
lcd.h	Externally visible interface to <i>lcd.c</i>
AT91SAM7L128.h	Addresses of every peripheral in the SAM7L chip
crto.S	ARM assembly code that sets up the C runtime environment, mostly the stack
flash.lds	Linker script: how and where to put the program in (flash) memory
openocd.cfg	OpenOCD configuration file, including rules for writing to the on-chip flash memory
board/hp-20b-calculator.cfg	OpenOCD information about the HP 20b, mostly that it contains a SAM7L chip
target/at91sam7l128.cfg	OpenOCD information about the SAM7L chip: the location of the flash memory

Here I've excerpted the relevant lines. The "JTAG tap" line indicates it was able to communicate with and establish the identity of the processor. The "target halted" means the openocd tool was able to instruct the processor to halt so it could download a file to it, which the "wrote" message indicates. Finally, we disconnected OpenOCD, indicated by "shutdown command invoked."

What To Do

1. Follow the instructions in the previous section to compile and download the sample program onto the calculator.
2. Edit *hello.c* to make it display something different (e.g., your name, "Columbia," or something else). You have up to 15 characters to work with, although the rightmost three are smaller superscripts. Compile and download your program to the calculator and show us that it works.
3. Change *hello.c* to make a message scroll from right to left. You will need to figure out how to display only part of a message each time, how to change the displayed window, and how to slow everything down so the message doesn't scroll by too fast.