

# Who am I

- Jared Pochtar
- TAed this class a few years ago
- Coauthored an unpublished paper with with Prof. Edwards
- Worked at 4 different kinds of compilers projects across as many companies
- Founded Pagedraw, a compilers startup

# Compilers in Industry

**Programming Language** design is a very **unsolved** problem

n-stage **Compilers** are a very **well understood** way to approach software engineering problems

# Open questions in Programming Languages

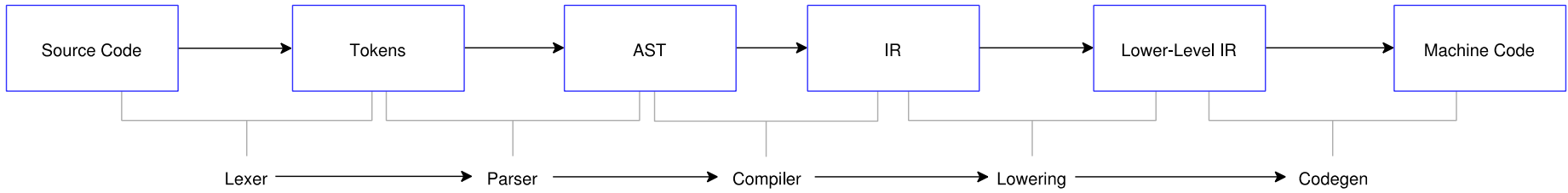
## Nonlinear control flow

- Asynchrony and Distributed Computing
- Different from parallelization! That's a whole other topic of PL research
- Exception Handling

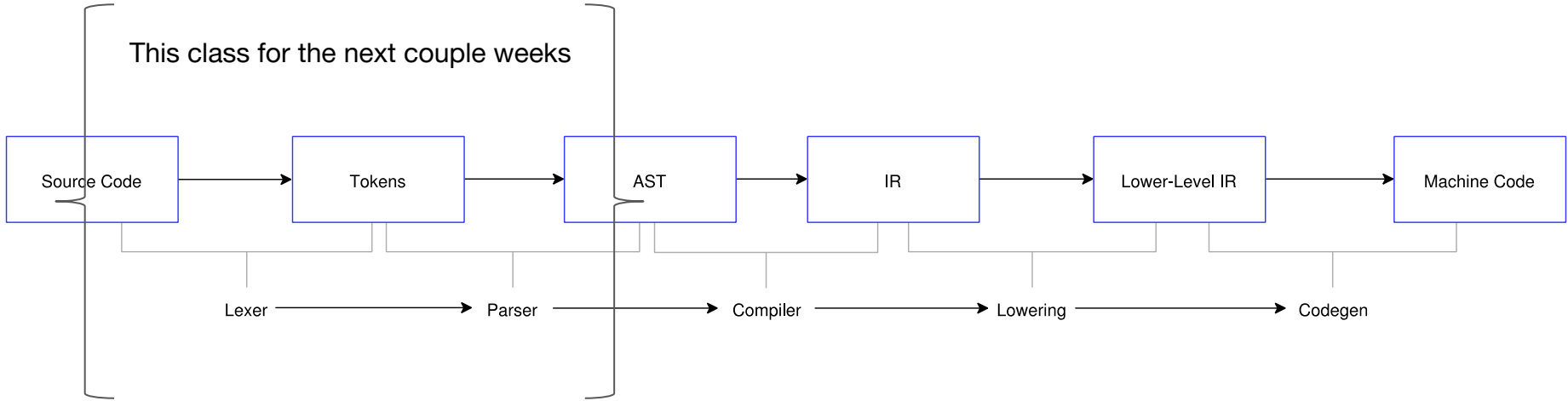
## Devtools outside or adjacent to the code itself— IDEs+

- Coffeescript live compiler
- Autocomplete / inline type checking / debuggers

## Programming in VR?



This class for the next couple weeks



# Open questions in Programming Languages

that you could think about for your project!

## Nonlinear control flow

- Asynchrony and Synchronization.
- Different from parallelization! That's a whole other topic of PL research
- Exception Handling

## Devtools outside or adjacent to the code itself— IDEs+

- Coffeescript live compiler
- Autocomplete / inline type checking / debuggers

## Programming in VR?

# New conventional uses of compilers

- Optimize database queries. Compile the SQL, optimize the query by rewriting it with cheaper operations, then Just-in-time compile it.
- JITting JS for v8, Sunspider, Nitro
- WASM and asm.js
- GPU, TPU languages and others targeting specialized hardware
- Cross-compile ML algorithms for different platforms (Tensorflow vs whatever the new thing is)
- Coffeescript2 just came out— we're still working on ways to improve Javascript, since we're stuck with it and it's pretty ugly, even though there's some real gold nuggets in there.
- Sourcemaps— correlating lines in the generated code with lines in the source code. Killer for debugging languages that compile to Javascript with the browser-based Chrome Web Inspector, which wants to work with Javascript even though you don't



# Unconventional uses of compilers

Auto-add type annotations to code

- Python 3: Pinfer.py <https://github.com/python/mypy/tree/master/pinfer>
- Typescript/Flow: <https://maierfelix.github.io/lroh/>

Migrate a codebase

- <https://github.com/jaredp/coffeescript-to-typescript>

Combine Python (CPython) and Javascript (v8)

# Python

```
def fib(n):  
    if n < 2:  
        return 1  
    else:  
        return fib(n - 2) + fib(n - 1)  
  
def loop(n):  
    return [fib(i) for i in range(n)]  
  
def log(line):  
    print(line)  
  
def mapInt2Str(nums):  
    return [str(n) for n in nums]
```

# Python3

```
def fib(n):  
    if n < 2:  
        return 1  
    else:  
        return fib(n - 2) + fib(n - 1)
```

```
def loop(n):  
    return [fib(i) for i in range(n)]
```

```
def log(line):  
    print(line)
```

```
def mapInt2Str(nums):  
    return [str(n) for n in nums]
```

```
from typing import List, Dict, Set, Tuple,  
Callable, Pattern, Match, Union, Optional
```

```
def fib(n: int) -> int:  
    if n < 2:  
        return 1  
    else:  
        return fib(n - 2) + fib(n - 1)
```

```
def loop(n: int) -> List[int]:  
    return [fib(i) for i in range(n)]
```

```
def log(line: str) -> None:  
    print(line)
```

```
def mapInt2Str(nums: List[int]) -> List[str]:  
    return [str(n) for n in nums]
```

# Pinfer.py

[mypy/pinfer/p.py simple test-main.py simple.py](#)

```
# BEFORE: simple.py
```

```
def fib(n):
    if n < 2:
        return 1
    else:
        return fib(n - 2) + fib(n - 1)
```

```
def loop(n):
    return [fib(i) for i in range(n)]
```

```
def log(line):
    print(line)
```

```
def mapInt2Str(nums):
    return [str(n) for n in nums]
```

```
# AFTER: simple.py
```

```
from typing import List, Dict, Set, Tuple,
Callable, Pattern, Match, Union, Optional
```

```
def fib(n: int) -> int:
    if n < 2:
        return 1
    else:
        return fib(n - 2) + fib(n - 1)
```

```
def loop(n: int) -> List[int]:
    return [fib(i) for i in range(n)]
```

```
def log(line: str) -> None:
    print(line)
```

```
def mapInt2Str(nums: List[int]) -> List[str]:
    return [str(n) for n in nums]
```

# Unconventional uses of compilers

Auto-add type annotations to code

- Python 3: Pinfer.py <https://github.com/python/mypy/tree/master/pinfer>
- Typescript/Flow: <https://maierfelix.github.io/lroh/>

Migrate a codebase

- <https://github.com/jaredp/coffeescript-to-typescript>

Combine Python (CPython) and Javascript (v8)

Applying compilers to things that don't  
look like source code



**Jared Pochtar** ▶ **Stephen A. Edwards**



December 1, 2015 · Cambridge, MA · 🧑🏻‍🤝‍🧑🏻

I know you've gotten to me when I go to Chipotle and think, hey, this is just a 5-stage pipeline English to burrito compiler



Like



Comment



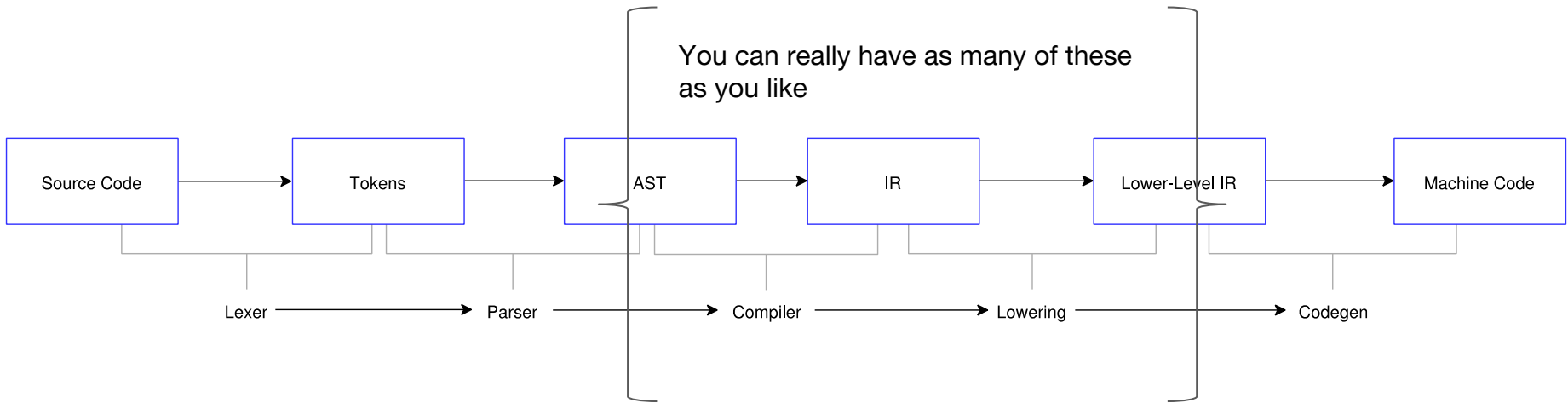
Share



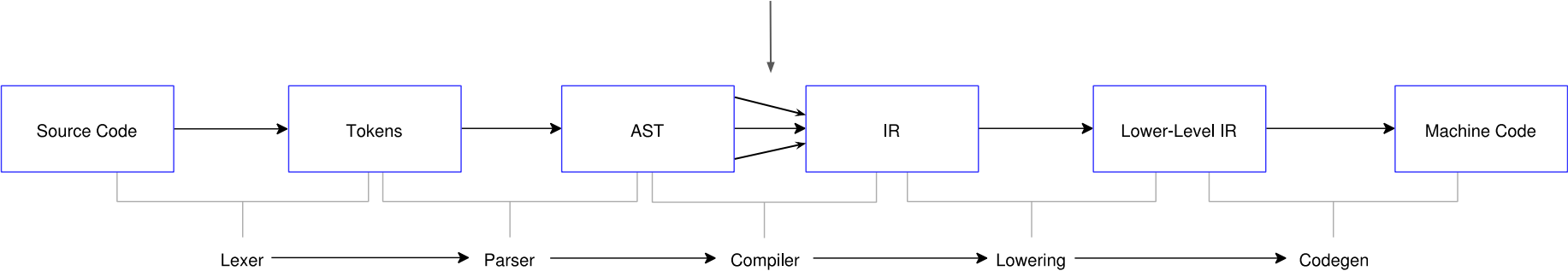
Margo Seltzer, Stephen A. Edwards and 7 others

# Pagedraw





# Syntactic Sugar



# Python

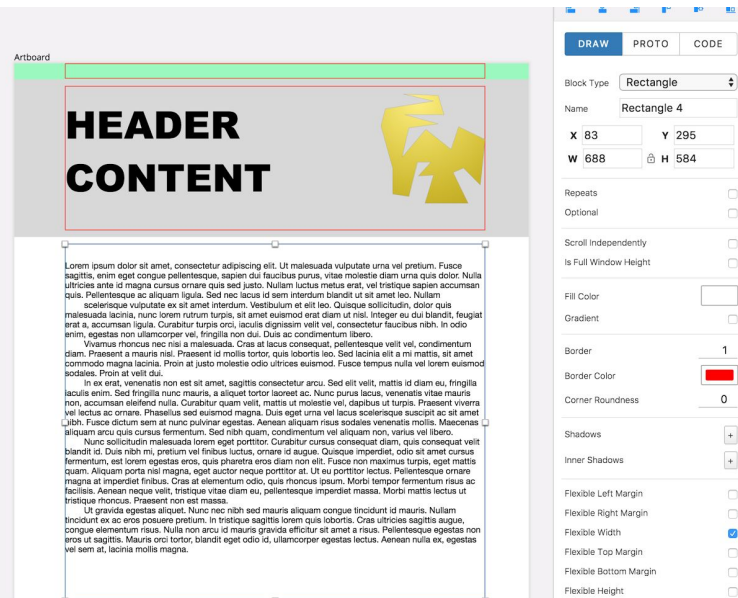
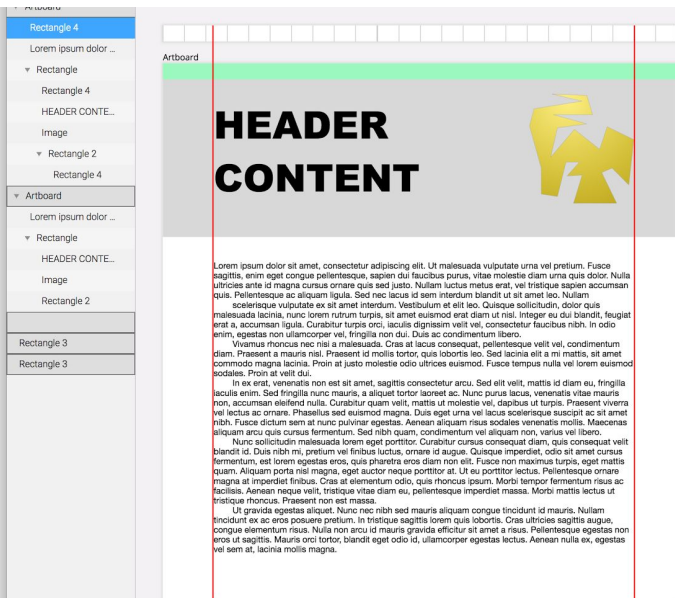
# code you write

```
def loop(n):  
    return [fib(i) for i in range(n)]
```

# code the bytecode interpreter sees

```
def loop(n):  
    _list = []  
    for i in range(n):  
        _list.append(n)  
    _temp = _list  
    return _temp
```

# Pagedraw



Add ▾



Shortcuts



Help



Sketch Import



Create Component



Push to Github



Export



Zoom In



Zoom Out



No Snapping



Hide Layers



Config

▼ Artboard

Rectangle 4

Lorem ipsum dolor ...

Rectangle

Rectangle 4

HEADER CONTE...

Image

▼ Rectangle 2

Rectangle 4

▼ Artboard

Lorem ipsum dolor ...

▼ Rectangle

HEADER CONTE...

Image

Rectangle 2

Rectangle 3

Rectangle 3

Artboard

# HEADER CONTENT



Lorem ipsum dolor sit amet, consectetur adipiscing elit. Ut malesuada vulputate urna vel pretium. Fusce sagittis, enim eget congue pellentesque, sapien dui faucibus purus, vitae molestie diam urna quis dolor. Nulla ultricies ante id magna cursus ornare quis sed justo. Nullam luctus metus erat, vel tristique sapien accumsan quis. Pellentesque ac aliquam ligula. Sed nec lacus id sem interdum blandit ut sit amet leo. Nullam

scelerisque vulputate ex sit amet interdum. Vestibulum et elit leo. Quisque sollicitudin, dolor quis malesuada lacinia, nunc lorem rutrum turpis, sit amet euismod erat diam ut nisi. Integer eu dui blandit, feugiat erat a, accumsan ligula. Curabitur turpis orci, iaculis dignissim velit vel, consectetur faucibus nibh. In odio enim, egestas non ullamcorper vel, fringilla non dui. Duis ac condimentum libero.

Vivamus rhoncus nec nisi a malesuada. Cras at lacus consequat, pellentesque velit vel, condimentum diam. Praesent a mauris nisi. Praesent id mollis tortor, quis lobortis leo. Sed lacinia elit a mi mattis, sit amet commodo magna lacinia. Proin at justo molestie odio ultrices euismod. Fusce tempus nulla vel lorem euismod sodales. Proin at velit dui.

In ex erat, venenatis non est sit amet, sagittis consectetur arcu. Sed elit velit, mattis id diam eu, fringilla iaculis enim. Sed fringilla nunc mauris, a aliquet tortor laoreet ac. Nunc purus lacus, venenatis vitae mauris non, accumsan eleifend nulla. Curabitur quam velit, mattis ut molestie vel, dapibus ut turpis. Praesent viverra vel lectus ac ornare. Phasellus sed euismod magna. Duis eget urna vel lacus scelerisque suscipit ac sit amet nibh. Fusce dictum sem at nunc pulvinar egestas. Aenean aliquam risus sodales venenatis mollis. Maecenas aliquam arcu quis cursus fermentum. Sed nibh quam, condimentum vel aliquam non, varius vel libero.

Nunc sollicitudin malesuada lorem eget portitor. Curabitur cursus consequat diam, quis consequat velit blandit id. Duis nibh mi, pretium vel finibus luctus, ornare id augue. Quisque imperdiet, odio sit amet cursus fermentum, est lorem egestas eros, quis pharetra eros diam non elit. Fusce non maximus turpis, eget mattis quam. Aliquam porta nisi magna, eget auctor neque portitor at. Ut eu portitor lectus. Pellentesque ornare magna at imperdiet finibus. Cras at elementum odio, quis rhoncus ipsum. Morbi tempor fermentum risus ac facilisis. Aenean neque velit, tristique vitae diam eu, pellentesque imperdiet massa. Morbi mattis lectus ut tristique rhoncus. Praesent non est massa.

Ut gravida egestas aliquet. Nunc nec nibh sed mauris aliquam congue trincidunt id mattis. Nullam trincidunt ex ac eros posuere pretium. In tristique sagittis lorem quis lobortis. Cras ultricies sagittis augue, congue elementum risus. Nulla non arcu id mauris gravida efficitur sit amet a risus. Pellentesque egestas non eros ut sagittis. Mauris orci tortor, blandit eget odio id, ullamcorper egestas lectus. Aenean nulla ex, egestas vel sem at, lacinia mollis magna.

Artboard

# HEADER CONTENT



Lorem ipsum dolor sit amet, consectetur adipiscing elit. Ut malesuada vulputate urna vel pretium. Fusce sagittis, enim eget congue pellentesque, sapien dui faucibus purus, vitae molestie diam urna quis dolor. Nulla ultricies ante id magna cursus ornare quis sed justo. Nullam luctus metus erat, vel tristique sapien accumsan quis. Pellentesque ac aliquam ligula. Sed nec lacus id sem interdum blandit ut sit amet leo. Nullam

scelerisque vulputate ex sit amet interdum. Vestibulum et elit leo. Quisque sollicitudin, dolor quis malesuada lacinia, nunc lorem rutrum turpis, sit amet euismod erat diam ut nisi. Integer eu dui blandit, feugiat erat a, accumsan ligula. Curabitur turpis orci, iaculis dignissim velit vel, consectetur faucibus nibh. In odio enim, egestas non ullamcorper vel, fringilla non dui. Duis ac condimentum libero.

Vivamus rhoncus nec nisi a malesuada. Cras at lacus consequat, pellentesque velit vel, condimentum diam. Praesent a mauris nisi. Praesent id mollis tortor, quis lobortis leo. Sed lacinia elit a mi mattis, sit amet commodo magna lacinia. Proin at justo molestie odio ultrices euismod. Fusce tempus nulla vel lorem euismod sodales. Proin at velit dui.

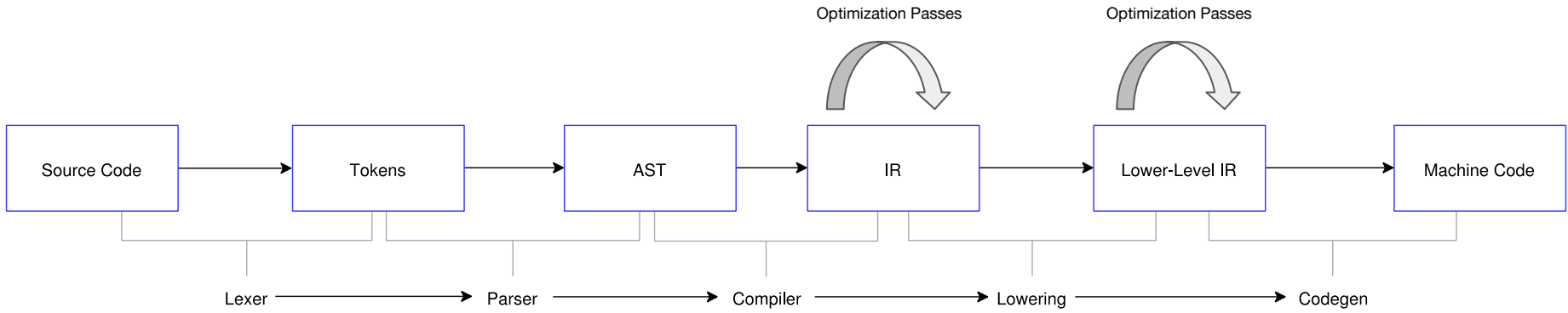
In ex erat, venenatis non est sit amet, sagittis consectetur arcu. Sed elit velit, mattis id diam eu, fringilla iaculis enim. Sed fringilla nunc mauris, a aliquet tortor laoreet ac. Nunc purus lacus, venenatis vitae mauris non, accumsan eleifend nulla. Curabitur quam velit, mattis ut molestie vel, dapibus ut turpis. Praesent viverra vel lectus ac ornare. Phasellus sed euismod magna. Duis eget urna vel lacus scelerisque suscipit ac sit amet nibh. Fusce dictum sem at nunc pulvinar egestas. Aenean aliquam risus sodales venenatis mollis. Maecenas aliquam arcu quis cursus fermentum. Sed nibh quam, condimentum vel aliquam non, varius vel libero.

Nunc sollicitudin malesuada lorem eget portitor. Curabitur cursus consequat diam, quis consequat velit blandit id. Duis nibh mi, pretium vel finibus luctus, ornare id augue. Quisque imperdiet, odio sit amet cursus fermentum, est lorem egestas eros, quis pharetra eros diam non elit. Fusce non maximus turpis, eget mattis quam. Aliquam porta nisi magna, eget auctor neque portitor at. Ut eu portitor lectus. Pellentesque ornare magna at imperdiet finibus. Cras at elementum odio, quis rhoncus ipsum. Morbi tempor fermentum risus ac facilisis. Aenean neque velit, tristique vitae diam eu, pellentesque imperdiet massa. Morbi mattis lectus ut tristique rhoncus. Praesent non est massa.

Ut gravida egestas aliquet. Nunc nec nibh sed mauris aliquam congue trincidunt id mattis. Nullam trincidunt ex ac eros posuere pretium. In tristique sagittis lorem quis lobortis. Cras ultricies sagittis augue, congue elementum risus. Nulla non arcu id mauris gravida efficitur sit amet a risus. Pellentesque egestas non eros ut sagittis. Mauris orci tortor, blandit eget odio id, ullamcorper egestas lectus. Aenean nulla ex, egestas vel sem at, lacinia mollis magna.

DRAW PROTO CODE

Block Type Name X  Y W  H Repeats Optional Scroll Independently Is Full Window Height Fill Color Gradient Border Border Color Corner Roundness Shadows Inner Shadows Flexible Left Margin Flexible Right Margin Flexible Width Flexible Top Margin Flexible Bottom Margin Flexible Height Cursor



# X to Java (hypothetical)

```
// function call syntax           // Java (without optimizations)           // Java (with optimizations)
add(                               (((4) - (n)) + ((5) * ((a) + (b))))           4 - n + 5 * (a + b)
  subtract(4, n),
  times(5,
    add(a, b)
  )
)
```

// Java (incorrectly without parens)  
// 4 - n + 5 \* a + b

# Pagedraw

simple demos — Pagedraw x Jared

Secure | https://pagedraw.io/pages/4867

Copy the code below

```
import React from 'react';
import './artboard.css';
function render() {
  return <div className="artboard">
    <div className="artboard-0">
      <div className="artboard-artboard-0">
        <div className="artboard-0-0-0">
          <div className="artboard-rectangle-1">
            <div className="artboard-0-0-0-0">
              <div className="artboard-rectangle_2" />
            </div>
          <div className="artboard-0-0-0-1">
            <div className="artboard-0-0-0-1-0">
              <div className="artboard-header_content-_9">
                <div>HEADER CONTENT</div>
              </div>
            </div>
          </div>
          
        </div>
      </div>
    </div>
    <div className="artboard-0-1">
      <div className="artboard-lorempsum_dolor_sit_amet_consectetur_adipiscing_elit">
        { this.props.content }
      </div>
    </div>
    <div className="artboard-0-0-2" />
  </div>
</div>;
};
export default function(props) {
  return render.apply({props: props});
}
```

Close

simple demos — Pagedraw x Jared

localhost:4000/pages/126

Copy the code below

```
import React from 'react';
import './artboard.css';
function render() {
  return <div className="artboard">
    <div className="artboard-0" />
    <div className="artboard-1">
      <div className="artboard-1-0" />
      <div className="artboard-rectangle-1">
        <div className="artboard-1-1-1-0" />
        <div className="artboard-1-1-1-1">
          <div className="artboard-1-1-1-1-0" />
          <div className="artboard-1-1-1-1-1">
            <div className="artboard-1-1-1-1-1-0" />
            <div className="artboard-rectangle_2" />
            <div className="artboard-1-1-1-1-2" />
          </div>
          <div className="artboard-1-1-1-1-3">
            <div className="artboard-1-1-1-1-3-0" />
            <div className="artboard-1-1-1-1-3-1">
              <div className="artboard-1-1-1-1-3-1-0" />
              <div className="artboard-1-1-1-1-3-1-1">
                <div className="artboard-1-1-1-1-3-1-1-0" />
                <div className="artboard-1-1-1-1-3-1-1-1">
                  <div>HEADER CONTENT</div>
                </div>
              </div>
            </div>
            <div className="artboard-1-1-1-1-3-1-2" />
          </div>
          <div className="artboard-1-1-1-1-3-2" />
          
          <div className="artboard-1-1-1-1-3-4" />
        </div>
        <div className="artboard-1-1-1-1-4" />
      </div>
    </div>
    <div className="artboard-1-1-2" />
    <div className="artboard-1-1-3" />
  </div>
</div>
<div className="artboard-1-2" />
<div className="artboard-1-3">
  <div className="artboard-1-3-0" />
</div>
```

