

Altera's Avalon Communication Fabric

Stephen A. Edwards

Columbia University

Spring 2023

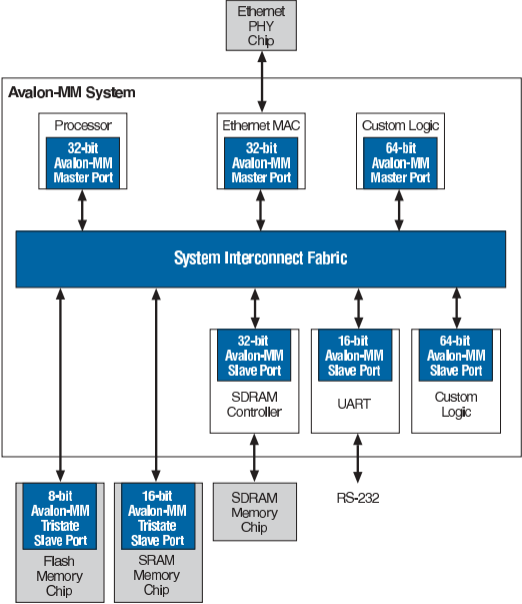
Altera's Avalon Bus

Something like "PCI on a chip"

Described in Altera's *Avalon Memory-Mapped Interface Specification* document

Protocol defined between peripherals and the "bus" (actually a fairly complicated circuit)

Intended System Architecture



Controller and Responder

Most bus protocols draw a distinction between

Controllers: Can initiate a transaction, specify an address, etc. E.g., the Nios II processor

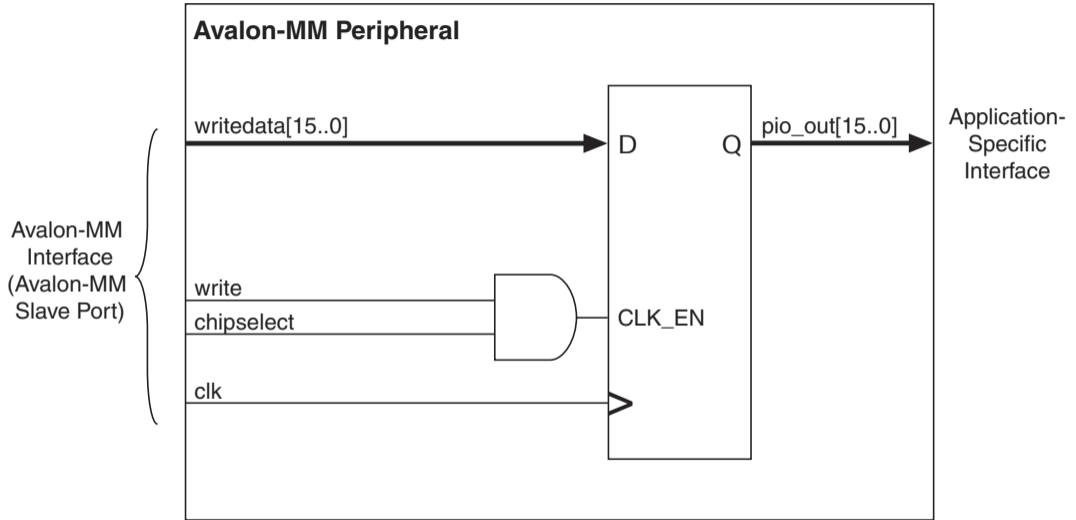
Responders: Respond to requests from controllers, can generate return data. E.g., a video controller

Most peripherals are responders

Controllers speak a more complex protocol

Bus arbiter decides which controller gains control

The Simplest Responder Peripheral



Basically, "latch when I'm selected and written to."

Responder Signals

For a 16-bit connection that spans 32 halfwords,



Avalon Responder Signals

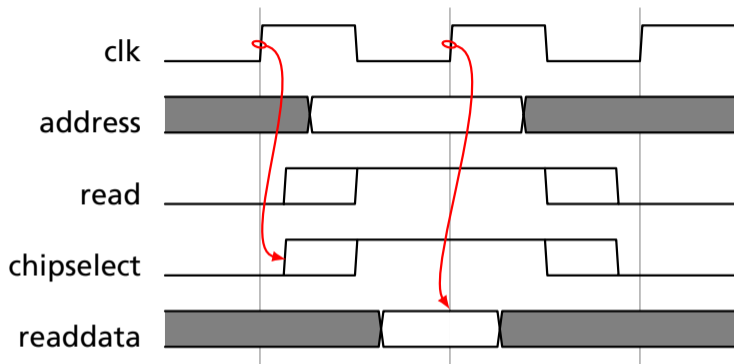
clk	Main clock
reset	Reset signal to peripheral
chipselect	Asserted when bus accesses peripheral
address[..]	Word address (data-width specific)
read	Asserted during peripheral→bus transfer
write	Asserted during bus→peripheral transfer
writedata[..]	Data from bus to peripheral
byteenable[..]	Indicates active bytes in a transfer
readdata[..]	Data from peripheral to bus
irq	peripheral→processor interrupt request

All are optional, as are many others for, e.g., flow-control and burst transfers.

In SystemVerilog

```
module myresponder(input logic      clk,  
                  input logic      reset,  
                  input logic [7:0] writedata,  
                  input logic      write,  
                  input logic      chipselect,  
                  input logic [2:0] address);
```


Basic Responder Read Transfer

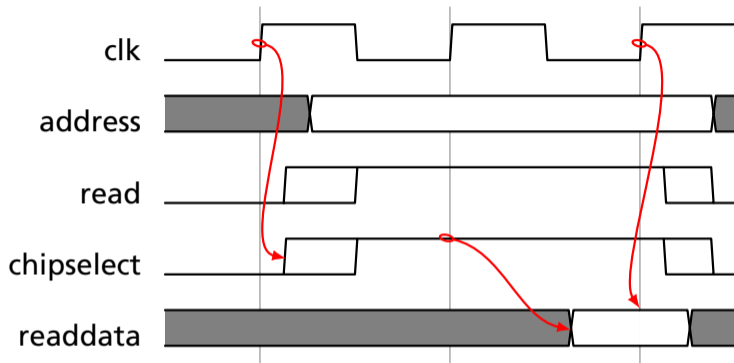


Bus cycle starts on rising clock edge

Data latched at next rising edge

Such a peripheral must be purely combinational

Responder Read Transfer w/ 1 Wait State

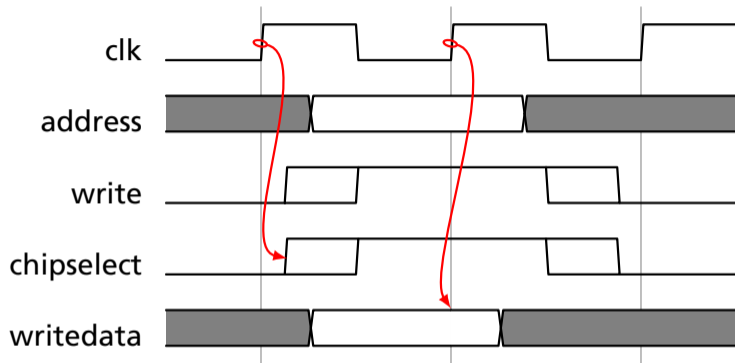


Bus cycle starts on rising clock edge

Data latched two cycles later

Approach used for synchronous peripherals

Basic Async. Responder Write Transfer

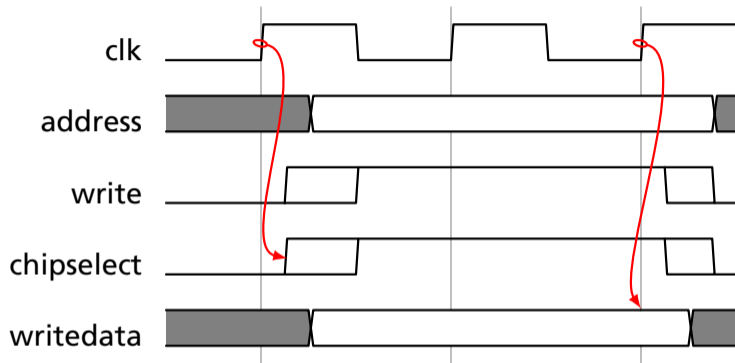


Bus cycle starts on rising clock edge

Data available by next rising edge

Peripheral may be synchronous, but must be fast

Basic Async. Responder Write w/ 1 Wait State



Bus cycle starts on rising clock edge

Peripheral latches data two cycles later

For slower peripherals

The Vga_ball Peripheral

```
module vga_ball(input logic      clk,
                input logic      reset,
                input logic [7:0] writedata,
                input logic      write,
                input             chipselect,
                input logic [2:0] address,

                output logic [7:0] VGA_R, VGA_G, VGA_B,
                output logic      VGA_CLK, VGA_HS, VGA_VS,
                output logic      VGA_BLANK_n,
                output logic      VGA_SYNC_n);

    logic [10:0] hcount;
    logic [9:0]  vcount;

    logic [7:0] background_r, background_g, background_b;
    vga_counters counters(.clk50(clk), .*);
```

The Vga_ball Peripheral

```
always_ff @(posedge clk)
  if (reset) begin
    background_r <= 8'h0;
    background_g <= 8'h0;
    background_b <= 8'h80;
  end else if (chipselect && write)
    case (address)
      3'h0 : background_r <= writedata;
      3'h1 : background_g <= writedata;
      3'h2 : background_b <= writedata;
    endcase

always_comb begin
  {VGA_R, VGA_G, VGA_B} = {8'h0, 8'h0, 8'h0};
  if (VGA_BLANK_n )
    if (hcount[10:6] == 5'd3 &&
        vcount[9:5] == 5'd3)
      {VGA_R, VGA_G, VGA_B} = {8'hff, 8'hff, 8'hff};
    else
      {VGA_R, VGA_G, VGA_B} =
        {background_r, background_g, background_b};
end
```